



Regency 58 1/2" 16-Gauge Stainless Steel Two Compartment Commercial Sink with Stainless Steel Legs, Cross Bracing, and 1 Drainboard - 18" x 24" x 14" Bowls - Left Drainboard

#600S218241XL



Technical Data

Length	58 1/2 Inches
Height	43 3/4 Inches
Drainboard Length	18 Inches
Bowl Depth	14 Inches
Backsplash Height	9 Inches
Basket Drain Size	3 1/2 Inches
Bowl Front to Back	24 Inches
Bowl Left to Right	18 Inches
Drain Outlet Size	1 1/2 Inches
Faucet Centers	8 Inches

Features

- Durable, welded 16-gauge 304 stainless steel construction
- (2) 14" deep bowls with rounded corners for easy cleaning, (1) 18" drainboard
- 3 1/2" drain basket with 1 1/2" IPS drain connection
- Backsplash and rolled edges prevent splashes and overflow
- Stainless steel legs with cross bracing for stability, adjustable bullet feet level the sink

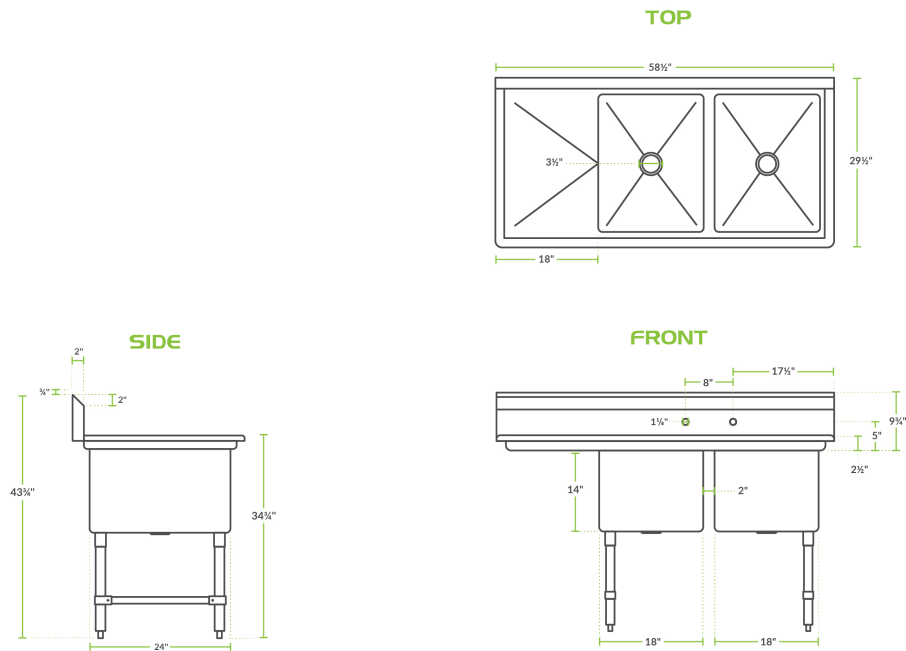
Certifications



Technical Data

Features	NSF Listed
Gauge	16 Gauge
Leg Construction	Galvanized Steel
Material	Stainless Steel
Number of Compartments	2 Compartments
Number of Drainboards	1 Drainboard
Stainless Steel Type	Type 304
Style	1 Drainboard
Type	Straight / Line Sinks

Plan View



Notes & Details

Ideal for washing pots or prepping food, this Regency 58 1/2" 2 compartment sink is a great addition to your busy commercial kitchen. It's made from high-quality, 16-gauge type 304 stainless steel, making it more corrosion-resistant and durable than other sinks made from thinner, 18-gauge material. This sink also features a sturdy, 18" drainboard so you can easily wash and dry dishes and utensils in one convenient location. And with a welded design, this sink provides added durability at key structural points.

The 14" deep bowls are die-stamped to a minimum of 1/4" to ensure proper drainage. Plus, each bowl includes a 3 1/2" basket strainer to catch food debris, which prevents the drain from clogging. For easy cleaning, each compartment has rounded corners so you can rinse and wipe down the sink.

A 9" tall backsplash is included and comes complete with (2) 1 1/8" diameter holes punched on 8" centers to accommodate 1 faucet (sold separately). This sink also includes a 1 1/2" raised rolled edge, which is 2" tall on the front and both sides to contain splashes and overflow. The legs are made from 1 5/8" diameter stainless steel, with stainless steel bullet feet that adjust to keep your sink level on installation. Additionally, cross bracing on the legs serves to provide additional stability.

WARNING: This product can expose you to chemicals including Lead and Nickel, which are known to the State of California to cause cancer, birth defects, or other reproductive harm. For more information, go to www.p65warnings.ca.gov.