

**REGENCY**  
Tables and Sinks

**Regency 41" 16-Gauge Stainless Steel Two Compartment Commercial Sink with Galvanized Steel Legs and without Drainboards - 17" x 17" x 12" Bowls**

#600S21717G



**Technical Data**

Length	41 Inches
Width	22 1/2 Inches
Height	44 3/4 Inches
Bowl Depth	12 Inches
Work Surface Height	36 1/2 Inches
Basket Drain Size	3 1/2 Inches
Bowl Front to Back	17 Inches
Bowl Left to Right	17 Inches
Drain Outlet Size	1 1/2 Inches
Faucet Centers	8 Inches

**Features**

- Made of high-quality 16-gauge type 304 stainless steel
- Galvanized 1 5/8" steel legs with sockets and adjustable bullet feet for added stability
- Faucet holes pre-punched (faucet sold separately)
- 3 1/2" IPS drain connections
- Rolled edge contains splashes and overflow

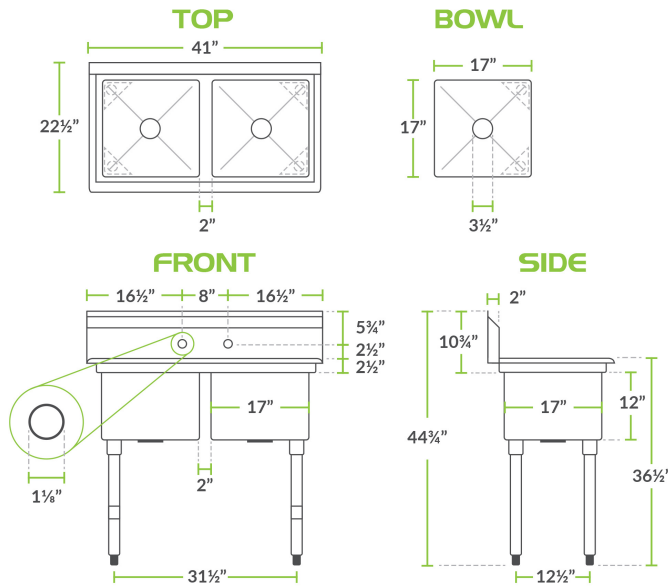
**Certifications**



## Technical Data

Features	NSF Listed
Gauge	16 Gauge
Leg Construction	Galvanized Steel
Material	Stainless Steel
Number of Compartments	2 Compartments
Number of Drainboards	None
Stainless Steel Type	Type 304
Style	0 Drainboards

## Plan View



## Notes & Details

Wash dishes with ease when you use this 41" two compartment prep / pot sink with no drainboard from Regency Tables and Sinks. Two 17" x 17" x 12" sinks sit two inches apart to provide an abundance of work space for a variety of kitchen tasks. Made of high-quality 16-gauge type 304 stainless steel for reliable service, this gauge is thicker and much more durable than many similar sinks available that are made of 18-gauge stainless steel. Additionally, type 304 stainless steel is exceptionally corrosion-resistant and easy to clean!

Each compartment offers rounded corners and ample space to either wash, rinse, or sanitize your dishes as needed. In addition, each drain includes a 3 1/2" basket strainer to eliminate the possibility of clogging. By regularly maintaining your drainage system, you will cut down on possible service and replacements costs.

Thanks to the high backsplash, water splashes will be confined inside the sink and then directly drip down into the drain. This added feature helps maintain the integrity of your wall and floor to keep your establishment in its best condition. There are two precut holes on 8" centers to accommodate wall-mount faucets (sold separately). The deck height is approximately 34".

**⚠ WARNING:** This product can expose you to chemicals including Lead and Nickel, which are known to the State of California to cause cancer, birth defects, or other reproductive harm. For more information, go to [www.p65warnings.ca.gov](http://www.p65warnings.ca.gov).