

REGENCY
Tables and Sinks

Regency 54" 16-Gauge Stainless Steel Two Compartment Commercial Sink with Galvanized Steel Legs and Two Drainboards - 10" x 14" x 12" Bowls

#600S2101416G



Technical Data

Length	54 Inches
Width	19 1/2 Inches
Height	43 3/4 Inches
Drainboard Length	16 Inches
Bowl Depth	12 Inches
Work Surface Height	36 1/2 Inches
Basket Drain Size	3 1/2 Inches
Bowl Front to Back	14 Inches
Bowl Left to Right	10 Inches
Drain Outlet Size	1 1/2 Inches

Features

- Made of high-quality 16-gauge type 304 stainless steel
- Galvanized 1 5/8" steel legs with sockets and adjustable bullet feet for added stability
- Faucet holes pre-punched (faucet sold separately)
- 3 1/2" IPS drain connections
- Rolled edge contains splashes and overflow

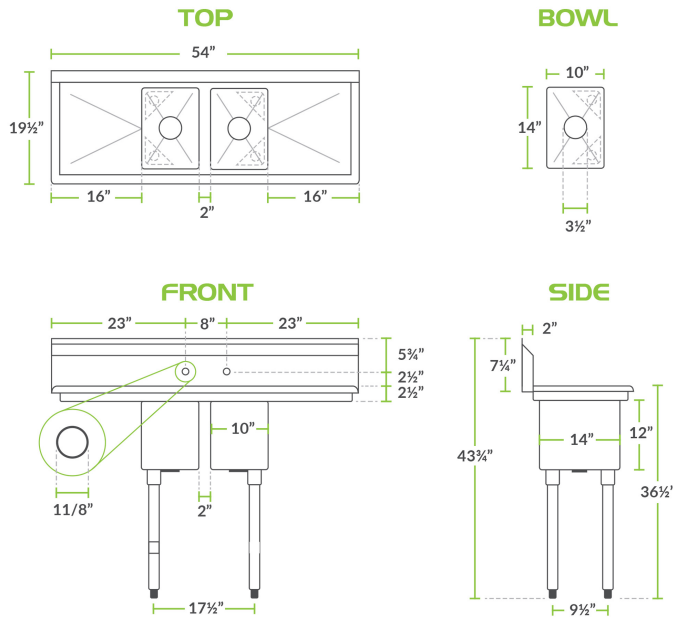
Certifications



Technical Data

Faucet Centers	8 Inches
Features	NSF Listed
Gauge	16 Gauge
Leg Construction	Galvanized Steel
Material	Stainless Steel
Number of Compartments	2 Compartments
Number of Drainboards	2 Drainboards
Stainless Steel Type	Type 304
Style	2 Drainboards

Plan View




Notes & Details

Wash with ease when you use this versatile Regency 54" 16-gauge stainless steel two compartment commercial sink with galvanized steel legs and two drainboards! This commercial sink is ideal for smaller establishments. Whether you use it for washing dishes, or for washing and preparing food, its multipurpose functionality and durable design will go a long way in your commercial kitchen. Made of high-quality 16-gauge type 304 stainless steel for reliable service, this gauge is thicker and much more durable than many similar sinks available that are made of 18-gauge stainless steel. Additionally, type 304 stainless steel is exceptionally corrosion-resistant and easy to clean!

Two 10" x 14" x 12" sinks sit two inches apart to provide ample work space for a variety of kitchen tasks. Its deep bowls are able to hold a large amount of water, perfect for fulfilling kitchen duties like food prep and dishwashing. The 2 1/2" rounded edge makes it more comfortable when using the sink and prevents splashing and water loss. In addition, each drain includes a 3 1/2" basket strainer to eliminate the possibility of clogging. By regularly maintaining your drainage system, you will cut down on possible service and replacements costs.

Thanks to the high 10 3/4" backsplash, water splashes will be confined to inside the sink, helping to maintain the integrity of your wall and floor to keep your establishment in its best condition. Thanks two four strong 1 5/8" galvanized steel legs and adjustable bullet feet, you can always be sure that your sink is stable and ready for use. Plus, this hand sink has two holes pre-punched to accept the faucet of your choice (sold separately).

 **WARNING:** This product can expose you to chemicals including Lead and Nickel, which are known to the State of California to cause cancer, birth defects, or other reproductive harm. For more information, go to www.p65warnings.ca.gov.