



## Regency 28" 16-Gauge Stainless Steel One Compartment Commercial Sink with Stainless Steel Legs, Cross Bracing, and without Drainboards - 23" x 23" x 12" Bowl

#600S12323X



### Technical Data

Length	28 Inches
Width	28 13/16 Inches
Height	44 3/4 Inches
Bowl Depth	12 Inches
Backsplash Height	10 Inches
Work Surface Height	34 3/4 Inches
Basket Drain Size	3 1/2 Inches
Bowl Front to Back	23 Inches
Bowl Left to Right	23 Inches
Faucet Centers	8 Inches

### Features

- Features a durable 16-gauge type 304 stainless steel construction
- Designed with a 12" deep bowl and rounded corners for easy cleaning
- Stainless steel legs, sockets, bullet feet, and crossbracing for maximum strength and longevity
- Includes a 3 1/2" basket strainer with 1 1/2" IPS drain connection
- Backsplash and rolled edges prevent splashes and overflow

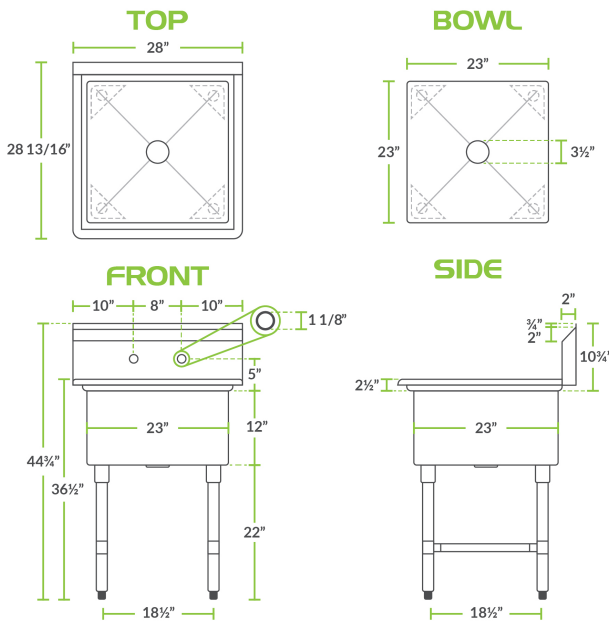
### Certifications



## Technical Data

Features	NSF Listed
Gauge	16 Gauge
Leg Construction	Stainless Steel
Material	Stainless Steel
Number of Compartments	1 Compartment
Stainless Steel Type	Type 304
Style	0 Drainboards
Type	Straight / Line Sinks

## Plan View



## Notes & Details

Outfit your facility with a long-lasting sink with this Regency 28" stainless steel one compartment sink without drainboards. It's constructed from high-quality, 16-gauge type 304 stainless steel, making it more corrosion-resistant and durable than other sinks made from thinner, 18-gauge material. It's dipped a minimum of 1/4" to facilitate better drainage, and the welded construction contributes to the long-lasting use and overall strength of this sink.

The 12" deep bowl is die-stamped to a minimum of 1/4" to ensure proper drainage. Plus, it includes a 3 1/2" basket strainer to catch food debris, which prevents the drain from clogging. For easy cleaning, the compartment has rounded corners so you can rinse and wipe down the sink.

A 10" tall backsplash is included and comes complete with (2) 1 1/8" diameter holes punched on 8" centers to accommodate 1 faucet (sold separately). This sink also includes a 1 1/2" raised rolled edge, which is 2" tall on the front and both sides to contain splashes and overflow. The legs are constructed of 1 5/8" diameter stainless steel with stainless steel cross-bracing and adjustable plastic feet for added stability. These features serve to prolong the life of your sink while adding exceptional strength to the unit.

**⚠ WARNING:** This product can expose you to chemicals including lead, which are known to the State of California to cause cancer, birth defects, or other reproductive harm. For more information, go to [www.p65warnings.ca.gov](http://www.p65warnings.ca.gov).