



Regency 28" 16-Gauge Stainless Steel One Compartment Commercial Sink with Galvanized Steel Legs and without Drainboard - 23" x 23" x 12" Bowl

#600S12323G



Technical Data

Length	28 Inches
Width	28 13/16 Inches
Height	44 3/4 Inches
Bowl Depth	12 Inches
Work Surface Height	34 3/4 Inches
Basket Drain Size	3 1/2 Inches
Bowl Front to Back	23 Inches
Bowl Left to Right	23 Inches
Drain Outlet Size	1 1/2 Inches
Faucet Centers	8 Inches

Features

- Made of high-quality 16 gauge, type 304 stainless steel
- Galvanized steel legs and adjustable plastic bullet feet provide stability
- Galvanized steel legs and adjustable plastic bullet feet provide stability
- Includes a 3 1/2" basket strainer with 1 1/2" IPS drain connection
- Backsplash and rolled edges prevent splashes and overflow

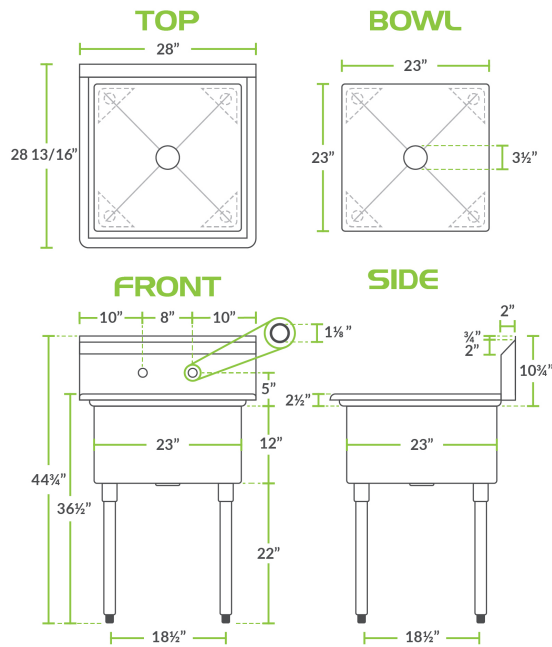
Certifications



Technical Data

Features	NSF Listed
Gauge	16 Gauge
Leg Construction	Galvanized Steel
Material	Stainless Steel
Number of Compartments	1 Compartment
Number of Drainboards	None
Stainless Steel Type	Type 304
Style	0 Drainboards

Plan View



Notes & Details

This one compartment commercial prep / pot sink with no drainboard from Regency Tables and Sinks is constructed from high-quality, 16- gauge type 304 stainless steel. This gauge is thicker and much more durable than many similar sinks that are available. Additionally, type 304 stainless steel offers exceptional corrosion- resistance!

The tub of this sink is 12" deep and die-stamped to a minimum of 1/4" to ensure proper drainage. It measures 23" x 23" with a 3 1/2" basket strainer for collecting excess waste particles. For easy cleaning, the compartment has rounded corners.

The backsplash is 10" tall and has two 1 1/8" diameter holes punched on 8" centers for a wall-mounted faucet (sold separately). This sink features raised rolled edges along both the front and sides to contain splashes and overflow. The legs are constructed of 1 5/8" diameter galvanized steel, with galvanized leg sockets and adjustable plastic bullet feet.

⚠️ WARNING: This product can expose you to chemicals including Lead and Nickel, which are known to the State of California to cause cancer, birth defects, or other reproductive harm. For more information, go to www.p65warnings.ca.gov.