



Regency 71" 16 Gauge Stainless Steel One Compartment Commercial Sink with Galvanized Steel Legs and 2 Drainboards - 23" x 23" x 12" Bowl

#600S123232G



Technical Data

| | |
|---------------------|---------------|
| Length | 71 Inches |
| Width | 28 Inches |
| Height | 44 3/4 Inches |
| Drainboard Length | 24 Inches |
| Bowl Depth | 12 Inches |
| Backsplash Height | 9 Inches |
| Work Surface Height | 34 1/2 Inches |
| Basket Drain Size | 3 1/2 Inches |
| Bowl Front to Back | 23 Inches |
| Bowl Left to Right | 23 Inches |

Features

- Made of high-quality 16 gauge, type 304 stainless steel
- Galvanized 1 5/8" steel legs with sockets and adjustable bullet feet for added stability
- Galvanized steel legs and adjustable plastic bullet feet provide stability
- Includes two 24" drainboards and 3 1/2" drain basket
- Backsplash and rolled edges prevent splashes and overflow

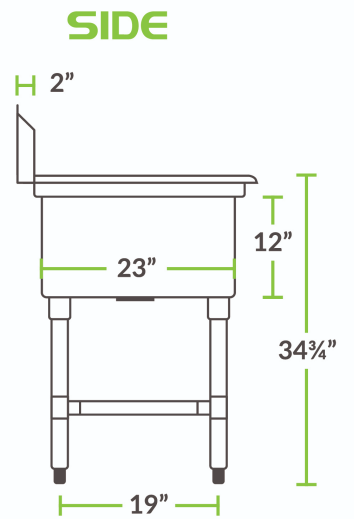
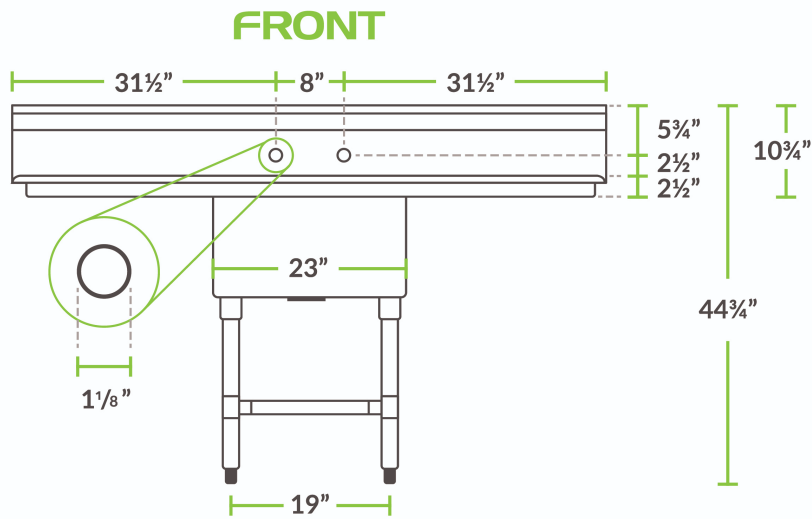
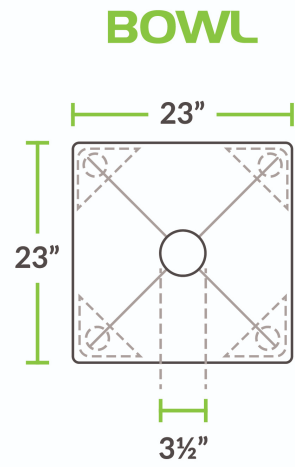
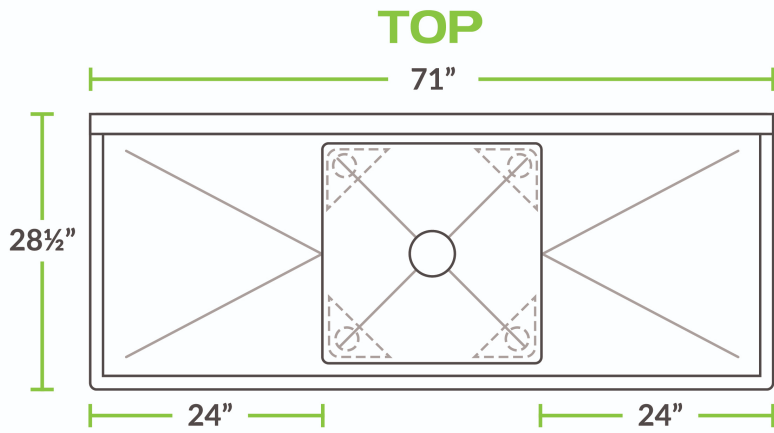
Certifications



Technical Data

| | |
|------------------------|------------------|
| Drain Outlet Size | 1 1/2 Inches |
| Faucet Centers | 8 Inches |
| Features | NSF Listed |
| Gauge | 16 Gauge |
| Leg Construction | Galvanized Steel |
| Material | Stainless Steel |
| Number of Compartments | 1 Compartment |
| Number of Drainboards | 2 Drainboards |
| Stainless Steel Type | Type 304 |
| Style | 2 Drainboards |

Plan View




Notes & Details

Wash, prep, or clean with ease when you use this 71" one compartment commercial utility sink with two 24" drainboards from Regency Tables and Sinks. Made of high-quality 16 gauge, type 304 stainless steel for reliable service, this gauge is thicker and much more durable than many similar sinks available. Additionally, type 304 stainless steel is exceptionally corrosion-resistant and easy to clean!

The compartment offers rounded corners and ample space to either wash, rinse, or sanitize your items as needed. In addition, the drain includes a 3 1/2" basket strainer to eliminate the possibility of clogging. By regularly maintaining your drainage system, you will cut down on possible service and replacement costs.

Thanks to the high backsplash, water splashes will be confined inside the sink and then directly drip down into the drain. This added feature helps maintain the integrity of your wall and floor to keep your establishment in its best condition. Plus, this sink has two holes pre-punched to accept the faucet of your choice (sold separately). This model has galvanized steel legs and adjustable plastic bullet feet to keep the sink level and stable.

 **WARNING:** This product can expose you to chemicals including Lead and Nickel, which are known to the State of California to cause cancer, birth defects, or other reproductive harm. For more information, go to www.p65warnings.ca.gov.