



Regency 23" 16-Gauge Stainless Steel One Compartment Commercial Sink with Stainless Steel Legs, without Drainboard - 18" x 18" x 14" Bowl

#600S11818X



Technical Data

Length	23 Inches
Width	23 1/2 Inches
Height	43 3/4 Inches
Bowl Depth	14 Inches
Work Surface Height	36 1/2 Inches
Basket Drain Size	3 1/2 Inches
Bowl Front to Back	18 Inches
Bowl Left to Right	18 Inches
Drain Outlet Size	1 1/2 Inches
Faucet Centers	8 Inches

Features

- Features a durable 16-gauge type 304 stainless steel construction
- Designed with a 14" deep bowl with rounded corners for easy cleaning
- 3 1/2" basket strainer with 1 1/2" IPS drain connection
- Includes a 3 1/2" basket strainer with 1 1/2" IPS drain connection
- Backsplash and rolled edges prevent splashes and overflow

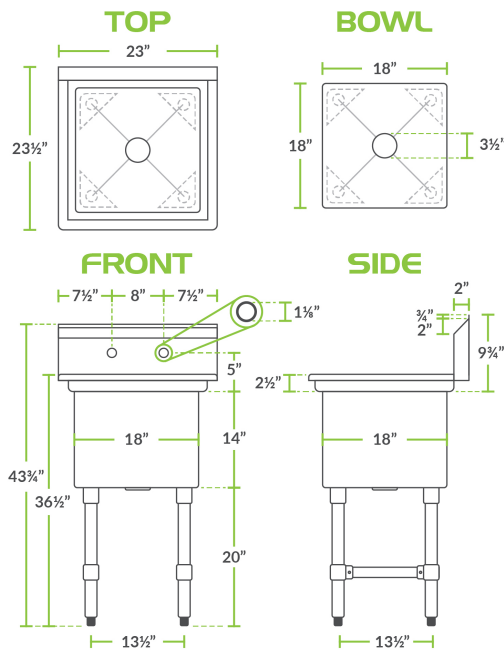
Certifications



Technical Data

Features	NSF Listed
Gauge	16 Gauge
Leg Construction	Stainless Steel
Material	Stainless Steel
Number of Compartments	1 Compartment
Number of Drainboards	None
Stainless Steel Type	Type 304
Style	0 Drainboards

Plan View



Notes & Details

Ideal for washing pots or prepping food, this Regency 23" 1 compartment sink is a great addition to your busy commercial kitchen. It's constructed from high-quality, 16-gauge type 304 stainless steel, making it more corrosion-resistant and durable than other sinks made from thinner, 18-gauge material. This sink also features welded construction for long-lasting use and overall strength.

The 14" deep bowl is die-stamped to a minimum of 1/4" to ensure proper drainage. Plus, it includes a 3 1/2" basket strainer to catch food debris, which prevents the drain from clogging. For easy cleaning, the compartment has rounded corners so you can rinse and wipe down the sink.

A 9 3/4" tall backsplash is included with (2) 1 1/8" diameter holes punched on 8" centers for a faucet (sold separately). This sink also comes complete with a 1 1/2" raised rolled edge, which is 2" tall on the front and both sides to contain splashes and overflow. The legs are constructed of 1 5/8" diameter stainless steel with cross-bracing and stainless steel bullet feet for added stability.

WARNING: This product can expose you to chemicals including Lead and Nickel, which are known to the State of California to cause cancer, birth defects, or other reproductive harm. For more information, go to www.p65warnings.ca.gov.