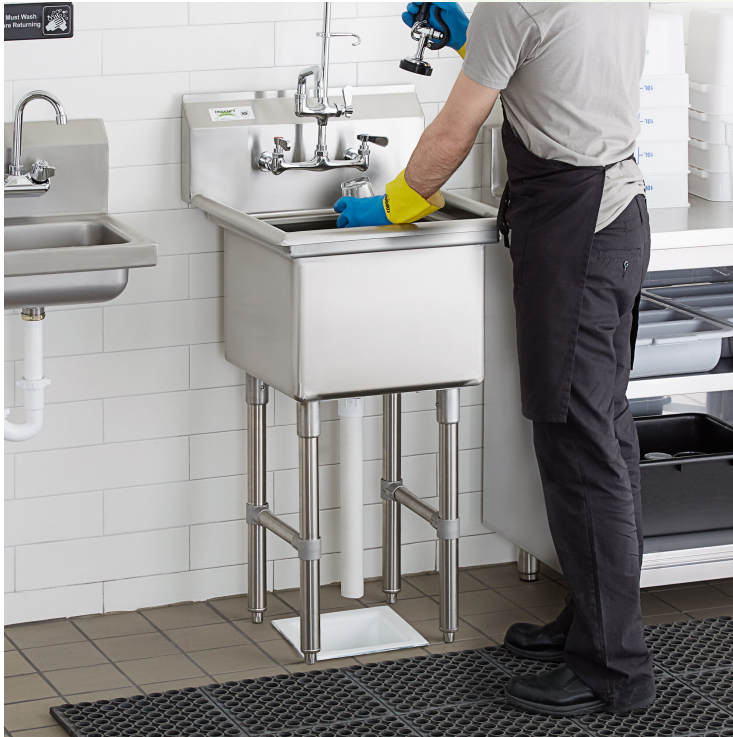


REGENCY
Tables and Sinks

Regency 22" 16-Gauge Stainless Steel One Compartment Commercial Sink with Stainless Steel Legs, Cross Bracing, Faucet, and without Drainboard - 17" x 17" x 12" Bowl

#600S117FWX



Technical Data

Length	22 Inches
Width	22 13/16 Inches
Height	44 3/4 Inches
Spout Length	3 1/2 Inches
Bowl Depth	12 Inches
Backsplash Height	10 Inches
Spout Height	7 7/8 Inches
Work Surface Height	36 1/2 Inches
Basket Drain Size	3 1/2 Inches
Bowl Front to Back	17 Inches

Features

- Features a durable 16-gauge type 304 stainless steel construction
- Designed with a 12" deep bowl and rounded corners for easy cleaning
- Stainless steel legs, sockets, bullet feet, and crossbracing for maximum strength and longevity
- Includes a 3 1/2" basket strainer with 1 1/2" IPS drain connection
- Backsplash and rolled edges prevent splashes and overflow

Certifications



NSF Listed



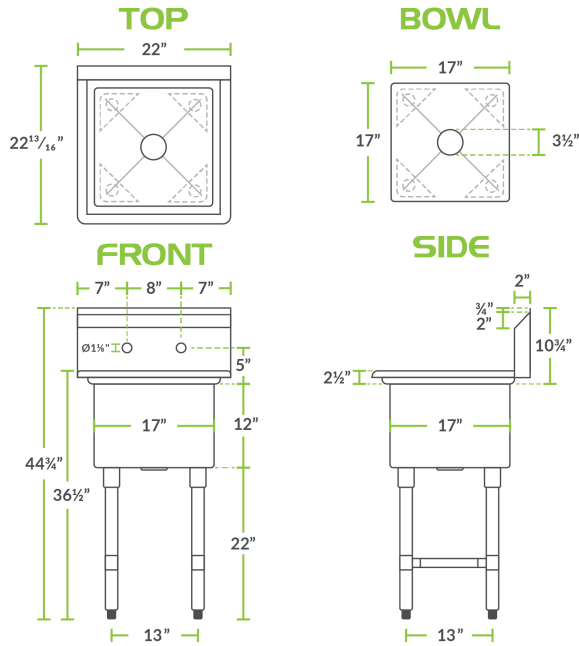
1/2"

1/2" Water Connection

Technical Data

Bowl Left to Right	17 Inches
Faucet Centers	8 Inches
Features	California AB100 Compliant Faucet Included NSF Listed
Flow Rate	2 GPM
Gauge	16 Gauge
Handle Type	Wrist
Leg Construction	Stainless Steel
Material	Stainless Steel
Number of Compartments	1 Compartment
Number of Drainboards	None
Spout Type	Gooseneck
Stainless Steel Type	Type 304
Style	0 Drainboards
Water Inlet Size	1/2 Inches

Plan View




Notes & Details

Outfit your facility with a long-lasting sink with this Regency 22" stainless steel one compartment sink without drainboards. It's constructed from high-quality, 16-gauge type 304 stainless steel, making it more corrosion-resistant and durable than other sinks made from thinner, 18-gauge material. It's dipped a minimum of 1/4" to facilitate better drainage, and the welded construction contributes to the long-lasting use and overall strength of this sink.

The wall mount faucet features a flow rate of 2 GPM and a 1/2" NPT connection, making it great for dishwashing and other general cleaning tasks. It features 8" centers, and its 8" gooseneck nozzle provides more clearance than a traditional swing nozzle. For quick identification, this faucet features two easy-to-turn, labeled and color coded handles for hot and cold water. Plus, the entire unit features an attractive chrome-plated copper construction that looks great in any setting! The 12" deep bowl is die-stamped to a minimum of 1/4" to ensure proper drainage. Plus, it includes a 3 1/2" basket strainer to catch food debris, which prevents the drain from clogging. For easy cleaning, the compartment has rounded corners so you can rinse and wipe down the sink.

A 10" tall backsplash is included and comes complete with (2) 1 1/8" diameter holes punched on 8" centers to accommodate the faucet. This sink also includes a 1 1/2" raised rolled edge, which is 2" tall on the front and both sides to contain splashes and overflow. The legs are constructed of 1 5/8" diameter stainless steel with stainless steel cross-bracing and adjustable plastic feet for added stability. These features serve to prolong the life of your sink while adding exceptional strength to the unit.

 **WARNING:** This product can expose you to chemicals including lead, which are known to the State of California to cause cancer, birth defects, or other reproductive harm. For more information, go to www.p65warnings.ca.gov.