

**REGENCY**  
Tables and Sinks

**Regency 22" 16-Gauge Stainless Steel One Compartment Commercial Sink with Faucet - 17" x 17" x 12" Bowl**

#600S117FW



**Technical Data**

Length	22 Inches
Width	23 13/16 Inches
Height	44 3/4 Inches
Spout Length	3 1/2 Inches
Bowl Depth	12 Inches
Backsplash Height	10 Inches
Spout Height	7 7/8 Inches
Work Surface Height	34 3/4 Inches
Basket Drain Size	3 1/2 Inches
Bowl Front to Back	17 Inches

**Features**

- Made of high-quality 16 gauge, type 304 stainless steel
- Designed with a 12" deep bowl and rounded corners for easy cleaning
- Galvanized steel legs and adjustable plastic bullet feet provide stability
- Includes a chrome-plated copper faucet with an 8" gooseneck spout and a 3 1/2" basket strainer
- Backsplash and rolled edges prevent splashes and overflow

**Certifications**



NSF Listed



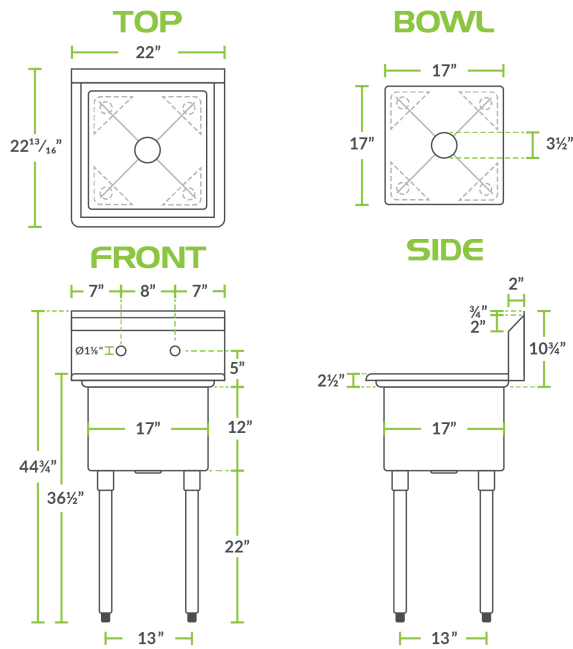
1/2"

1/2" Water Connection

## Technical Data

Bowl Left to Right	17 Inches
Drain Outlet Size	1 1/2 Inches
Faucet Centers	8 Inches
Features	California AB100 Compliant Faucet Included NSF Listed
Flow Rate	2 GPM
Gauge	16 Gauge
Handle Type	Wrist
Leg Construction	Galvanized Steel
Material	Stainless Steel
Number of Compartments	1 Compartment
Number of Drainboards	None
Spout Type	Gooseneck
Stainless Steel Type	Type 304
Style	0 Drainboards
Water Inlet Size	1/2 Inches

## Plan View




## Notes & Details

Ideal for washing pots or prepping food, this Regency 22" 16-gauge stainless steel one compartment commercial sink with faucet is a great addition to your busy commercial kitchen. It is constructed from high-quality, NSF-listed, 16-gauge type 304 stainless steel, making it more corrosion-resistant and durable than other sinks made from thinner, 18-gauge material. This sink also features a welded construction for long-lasting use and overall strength.

Featuring a flow rate of 2 GPM and a 1/2" NPT connection, the included faucet is great for quickly filling up buckets and sink compartments for dishwashing and other general cleaning tasks. It has a chrome-plated copper construction that's attractive and easy to keep clean. The 12" deep bowl is die-stamped to a minimum of 1/4" to ensure proper drainage. Plus, it includes a 3 1/2" basket strainer to catch food debris, which prevents the drain from clogging. For easy cleaning, the compartment has rounded corners so you can rinse and wipe down the sink.

A 10" tall backsplash is included with (2) 1 1/8" diameter holes punched for easy installation of the included faucet. This sink also comes complete with a 1 1/2" raised rolled edge, which is 2" tall on the front and both sides to contain splashes and overflow. The legs are constructed of 1 5/8" diameter galvanized steel with galvanized leg sockets and adjustable plastic feet so you can install this sink to best fit your needs. The deck height is approximately 34".

 **WARNING:** This product can expose you to chemicals including Lead and Nickel, which are known to the State of California to cause cancer, birth defects, or other reproductive harm. For more information, go to [www.p65warnings.ca.gov](http://www.p65warnings.ca.gov).