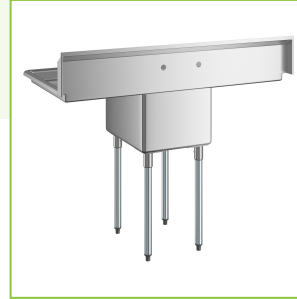




Regency 52" 16 Gauge Stainless Steel One Compartment Commercial Sink with Galvanized Steel Legs and 2 Drainboards - 16" x 20" x 12" Bowl

#600S116202G



Technical Data

Length	52 Inches
Width	25 1/2 Inches
Height	43 3/4 Inches
Drainboard Length	18 Inches
Bowl Depth	12 Inches
Backsplash Height	9 Inches
Work Surface Height	34 3/4 Inches
Basket Drain Size	3 1/2 Inches
Bowl Front to Back	20 Inches
Bowl Left to Right	16 Inches

Features

- Made of high-quality 16 gauge, type 304 stainless steel
- Designed with a 12" deep bowl and rounded corners for easy cleaning
- Galvanized steel legs and adjustable plastic bullet feet provide stability
- Includes two 18" drainboards and a 3 1/2" drain basket
- Backsplash and rolled edges prevent splashes and overflow

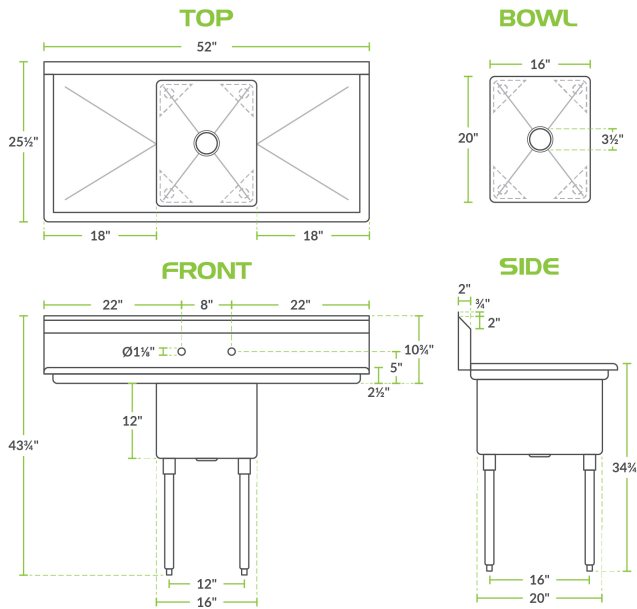
Certifications



Technical Data

Faucet Centers	8 Inches
Features	NSF Listed
Gauge	16 Gauge
Leg Construction	Galvanized Steel
Material	Stainless Steel
Number of Compartments	1 Compartment
Number of Drainboards	2 Drainboards
Stainless Steel Type	Type 304
Style	2 Drainboards

Plan View



Notes & Details

Outfit your facility with a long-lasting sink with this Regency 52" stainless steel one compartment sink with 2 drainboards. It's constructed from high-quality, 16-gauge type 304 stainless steel, making it more corrosion-resistant and durable than other sinks made from thinner, 18-gauge type 430 stainless steel. This sink features 2 sturdy, 18" drainboards so you can easily wash and dry dishes and utensils in one convenient location. It's dipped a minimum of 1/4" to facilitate better drainage, and the welded construction contributes to the long-lasting use and overall strength of this sink / drainboard combo.

The 12" deep bowl is die-stamped to a minimum of 1/4" to ensure proper drainage. Plus, it includes a 3 1/2" basket strainer to catch food debris, which prevents the drain from clogging. For easy cleaning, the compartment has rounded corners so you can rinse and wipe down the sink.

A 9" tall backsplash is included and comes complete with (2) 1 1/8" diameter holes punched on 8" centers to accommodate 1 faucet (sold separately). This sink also includes a 1 1/2" raised rolled edge, which is 2" tall on the front and both sides to contain splashes and overflow. This model has galvanized steel legs and adjustable plastic bullet feet to keep the sink level and stable.

⚠️ WARNING: This product can expose you to chemicals including lead, which are known to the State of California to cause cancer, birth defects, or other reproductive harm. For more information, go to www.p65warnings.ca.gov.