



Regency 20 1/2" Galvanized Steel Leg for Sinks

#600LEGGALV12



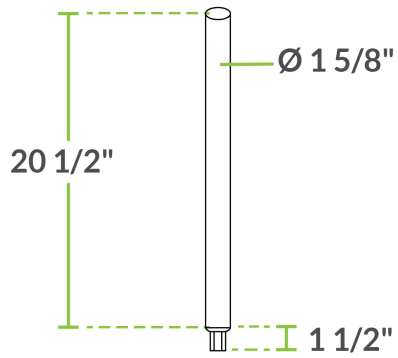
Technical Data

Height	20 1/2 Inches
Diameter	1 5/8 Inches
Application	Sinks and Plumbing
Color	Silver
Gauge	18 Gauge
Material	Galvanized Metal
Number of Legs	1 Leg
Style	Standard
Type	Legs

Features

- Compatible with 12" deep Regency sinks with galvanized legs
- 20 1/2" long and 1 5/8" diameter
- 18 gauge galvanized steel construction
- Includes adjustable plastic bullet foot
- Set-screw installation makes replacement a breeze

Plan View



Notes & Details

This Regency replacement leg allows you to easily replace the worn or damaged component on 12" deep Regency sinks with galvanized legs! Measuring $20 \frac{1}{2}''$ long and equipped with an adjustable plastic bullet foot to accommodate uneven floors, this 18 gauge galvanized steel leg provides your sink with a solid, reliable foundation to rest upon so you always have somewhere to do prep work or wash, rinse, and sanitize dirty dishes. It also installs using a simple set screw so setup is quick and easy.