

**REGENCY**  
Tables and Sinks

## Regency 21" x 36" Stainless Steel Underbar Ice Bin with Bottle Holders

#600IB2136



### Technical Data

Length	36 Inches
Width	21 1/8 Inches
Height	33 Inches
Ice Bin Length	34 Inches
Ice Bin Width	15 3/16 Inches
Ice Bin Depth	12 Inches
Backsplash Height	3 Inches
Work Surface Height	30 Inches
Capacity	119 lb.
Color	Silver

### Features

- 20 gauge stainless steel bin; 119 lb. capacity
- Galvanized steel legs and adjustable plastic bullet feet provide stability
- Insulated with polyurethane foam
- 2 plastic bottle holders and a 3" backsplash limits messes
- 1" I.D. brass drain pipe with 1 1/4" connection and 3" tailpiece

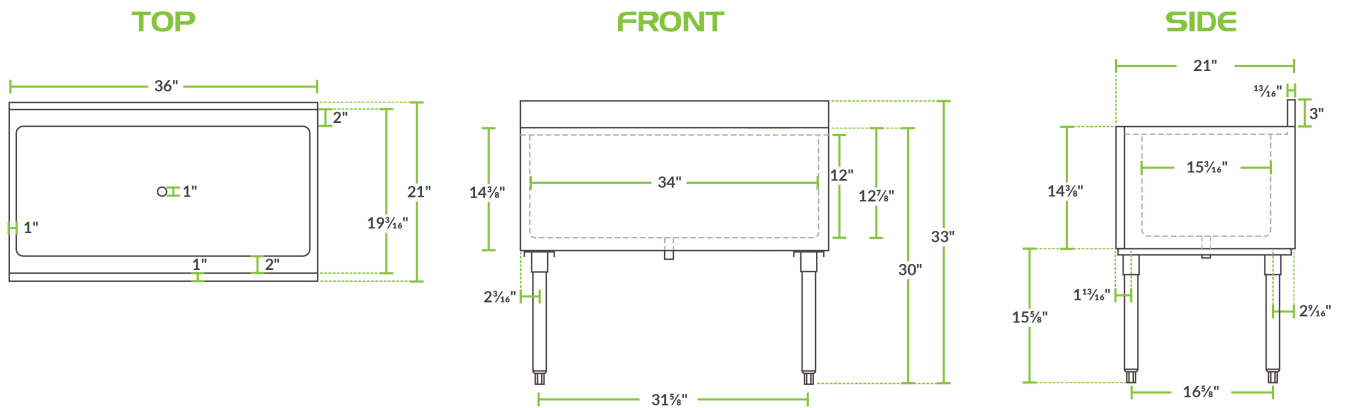
### Certifications



## Technical Data

Features	Bottle Storage NSF Listed With Backsplash
Installation Type	Freestanding
Leg Construction	Galvanized Steel
Material	Stainless Steel
Type	Ice Bins Without Cold Plate

## Plan View



## Notes & Details

Whether you're serving up a delicious cocktail or a refreshing soda, ensure you have a steady supply of cold beverages at your bar thanks to this Regency 21" x 36" underbar ice bin. The 15 3/16" x 34" interior bowl holds ice, while two plastic bottle holders with removable dividers let you simultaneously chill your most popular liquors and mixers. A 1" I.D. brass drain pipe safely drains melted ice water from the unit so you're only left with solid pieces.

This Regency ice bin is constructed of 20 gauge, type 304 stainless steel and features poly foam insulation to help keep the bin's contents cooler longer. It stands on four galvanized legs with adjustable plastic bullet feet for stability. It also boasts a backsplash to help keep your walls and floors dry. Thanks to this unit's versatility, it's easy to store and chill everything you need to create the perfect gin and tonic, whiskey ginger, cranberry vodka, and other popular drinks at your busy bar, nightclub, or restaurant.

**⚠️ WARNING:** This product can expose you to chemicals including lead, which are known to the State of California to cause cancer, birth defects, or other reproductive harm. For more information, go to [www.p65warnings.ca.gov](http://www.p65warnings.ca.gov).