

REGENCY
Tables and Sinks

Regency 18" x 36" Underbar Ice Bin - 119 lb.

#600IB1836



Technical Data

Length	36 Inches
Width	18 Inches
Height	33 Inches
Ice Bin Length	34 Inches
Ice Bin Width	15 1/4 Inches
Ice Bin Depth	12 Inches
Backsplash Height	3 Inches
Work Surface Height	30 Inches
Capacity	119 lb.
Color	Silver

Features

- 20 gauge stainless steel bin; 119 lb. capacity
- Galvanized steel legs and adjustable plastic bullet feet provide stability
- Insulated with polyurethane foam
- 2 plastic bottle holders and a 3" backsplash limits messes
- 1" I.D. brass drain pipe with 1 1/4" connection and 3" tailpiece

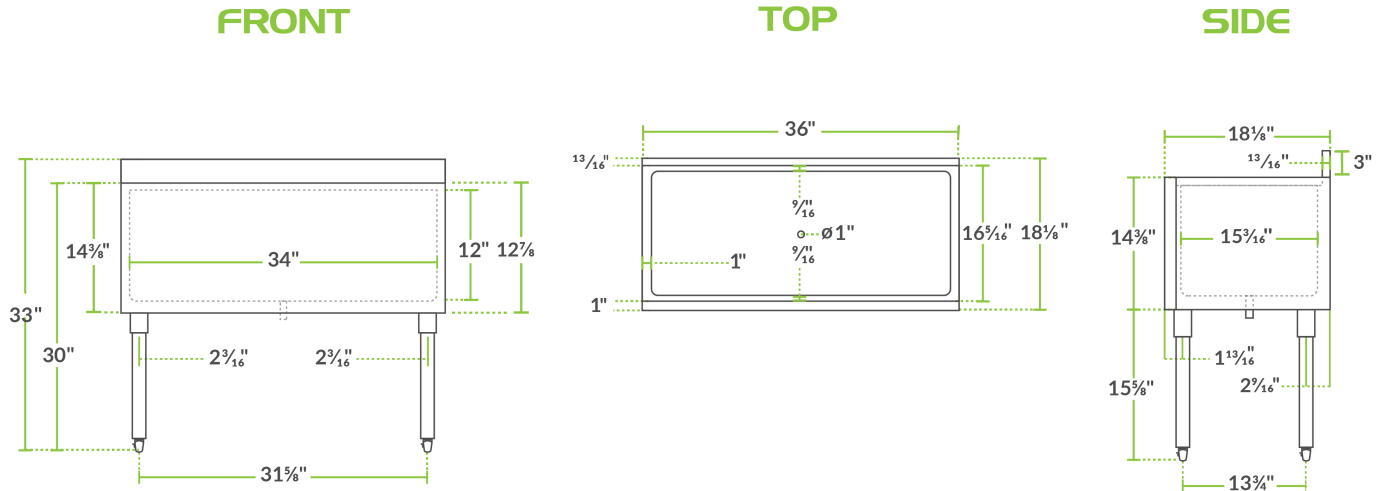
Certifications



Technical Data

Features	Bottle Storage NSF Listed With Backsplash
Installation Type	Freestanding
Leg Construction	Galvanized Steel
Material	Stainless Steel
Type	Ice Bins Without Cold Plate

Plan View



Notes & Details

Keep ice right where you need it, when you need it with this Regency 18" x 36" 119 lb. ice bin. Its compact size makes it perfect for use at your bar, pub, club, or restaurant. Featuring a 20-gauge type 304 stainless steel design, it is extremely durable and easy to clean. It rests atop galvanized steel legs and adjustable plastic bullet feet for ultimate stability. A 1" I.D. brass drain pipe with 1 1/4" connection and 3" tailpiece safely drains melted ice water from the unit so you're only left with solid pieces.

To keep your bar protected from potential water damage, this ice bin is built with a 3" backslash. The poly foam insulation helps keep this ice bin's contents cool, saving you money by wasting less ice. As an added bonus, it includes two plastic bottle holders with removable dividers to keep your drinks or mixers nice and cold throughout your busy shifts.

⚠️ WARNING: This product can expose you to chemicals including Lead and Nickel, which are known to the State of California to cause cancer, birth defects, or other reproductive harm. For more information, go to www.p65warnings.ca.gov.