

**REGENCY**  
Tables and Sinks

## Regency 18" x 30" Stainless Steel Underbar Ice Bin with Sliding Lid and Bottle Holders - 98 lb.

#600IB1830KIT



### Technical Data

Length	30 Inches
Width	18 1/2 Inches
Height	33 Inches
Ice Bin Length	28 Inches
Ice Bin Width	15 1/4 Inches
Ice Bin Depth	12 Inches
Backsplash Height	3 Inches
Work Surface Height	30 Inches
Capacity	96 lb.
Color	Silver

### Features

- 20 gauge stainless steel bin; 98 lb. capacity
- Galvanized steel legs and adjustable plastic bullet feet provide stability
- Insulated with polyurethane foam
- Includes sliding lid, two bottle holders, and 3" backsplash
- 1" I.D. brass drain pipe with 1 1/4" connection and 3" tailpiece

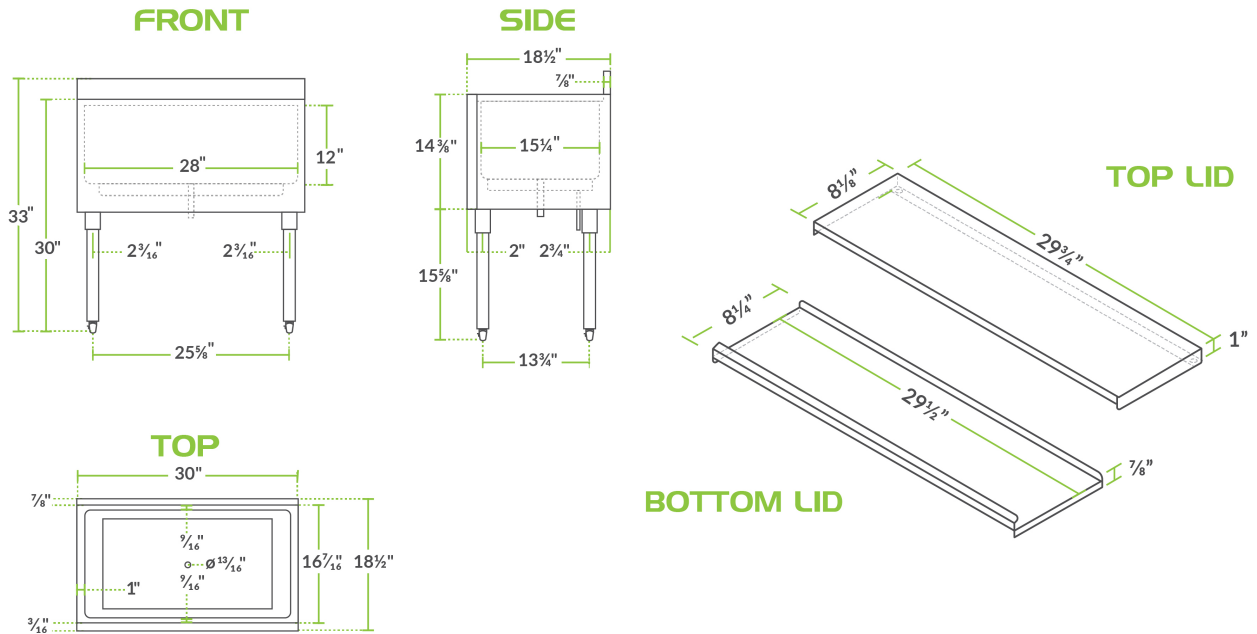
### Certifications



## Technical Data

Features	Bottle Storage Lid Included NSF Listed With Backsplash
Installation Type	Freestanding
Leg Construction	Galvanized Steel
Lid Type	Sliding
Material	Stainless Steel
Type	Ice Bins Without Cold Plate

## Plan View



## Notes & Details

Whether you're serving up a delicious cocktail or a refreshing soda, ensure you have a steady supply of cold beverages at your bar thanks to this Regency 18" x 30" underbar ice bin. The 15 1/4" x 28" interior bowl holds 98 lb. of ice, while two plastic bottle holders with removable dividers let you simultaneously chill your most popular liquors and mixers. A 1" I.D. brass drain pipe with 1 1/4" connection and 3" tailpiece safely drains melted ice water from the unit so you're only left with solid pieces.

This Regency ice bin is constructed of 20 gauge, type 304 stainless steel and features poly foam insulation to help keep the bin's contents cooler longer. The included sliding lid provides further cold retention and protects ice from dirt and other contaminants. This underbar ice bin stands on four galvanized legs with adjustable plastic bullet feet for stability. It also boasts a backsplash to help keep your walls and floors dry. Thanks to this unit's versatility, it's easy to store and chill everything you need to create the perfect gin and tonic, whiskey ginger, cranberry vodka, and other popular drinks at your busy bar, nightclub, or restaurant.

**⚠ WARNING:** This product can expose you to chemicals including lead, which are known to the State of California to cause cancer, birth defects, or other reproductive harm. For more information, go to [www.p65warnings.ca.gov](http://www.p65warnings.ca.gov).