

REGENCY
Tables and Sinks

Regency 24" x 18" Stainless Steel Portable Ice Bin

#600IB1824M



Technical Data

Length	24 Inches
Width	18 1/8 Inches
Height	29 Inches
Ice Bin Length	22 Inches
Ice Bin Width	15 1/5 Inches
Ice Bin Depth	16 Inches
Capacity	100 lb.
Casters	With Casters
Color	Silver
Drain Outlet Size	1 Inch

Features

- 20 gauge, 304 series stainless steel bowl, top, bottom, and body
- Stainless steel leg and socket construction
- Durable legs with 4-side bracing
- Includes 2 plastic bottle holders; carton box packing
- (4) 5" swivel PU casters (2 with brakes)

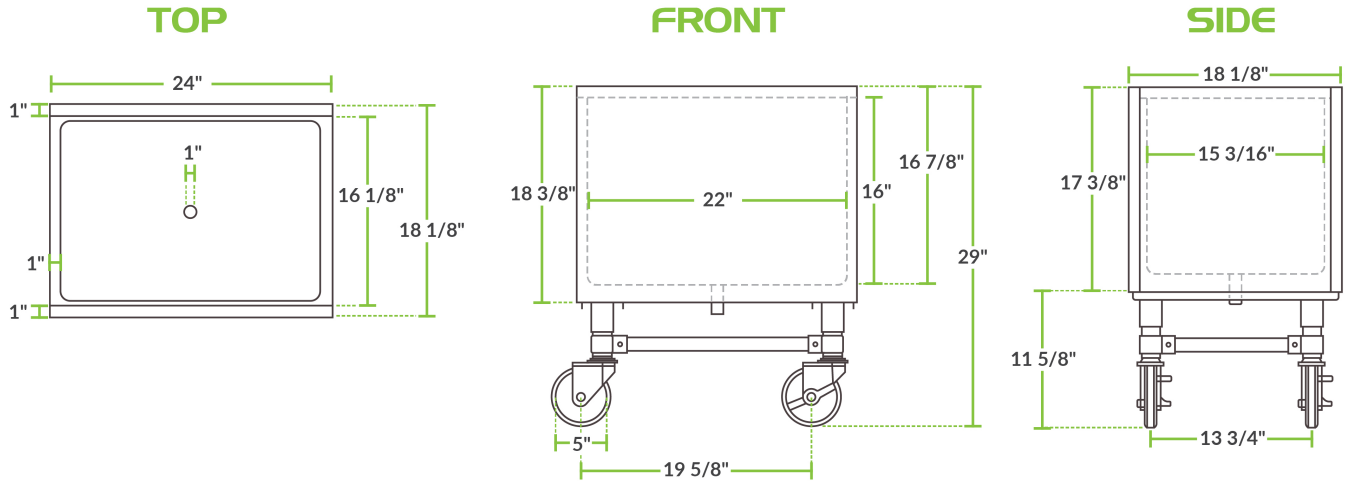
Certifications



Technical Data

Features	Bottle Storage Casters with Brakes NSF Listed
Material	Stainless Steel
Type	Mobile

Plan View



Notes & Details

Transport large amounts of ice and bottled beverages with this Regency 24" x 18" stainless steel portable ice bin! This ice bin is perfect for banquet halls and restaurants, as well as indoor and outdoor bars to help limit multiple long trips to the kitchen for ice refills. It can also be used to keep bottled beverages chilled while merchandising or at any catering event. It will fit easily under standard 35" counters to save space at your busy venue. It features an insulated cavity with a deep design that makes it ideal for bottled beverage storage. It includes a 1" IPS brass drain with shut off valve.

A total of (4) 5" swivel PU casters, including 2 with brakes, allow for effortless transport from one location to another. This mobile ice bin is designed for years of high-volume use and boasts an all-stainless steel construction, including a 20 gauge, 304 series stainless steel bowl, top, bottom, and body. The stainless steel leg and socket construction creates a sturdy, dependable base that supports the bin. This mobile ice bin includes 2 plastic bottle holders for optimal organization, as well as carton packing. It ensures beverage service at your bar or restaurant is a smooth operation.

WARNING: This product can expose you to chemicals including lead, which are known to the State of California to cause cancer, birth defects, or other reproductive harm. For more information, go to www.p65warnings.ca.gov.