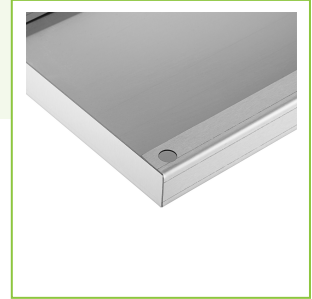




## Regency Stainless Steel Sliding Lid for 18" x 24" Underbar Ice Bin

#600IB1824LID



### Technical Data

|              |                        |
|--------------|------------------------|
| Features     | NSF Listed             |
| Product Type | Ice Machines and Parts |
| Type         | Ice Bin Covers         |

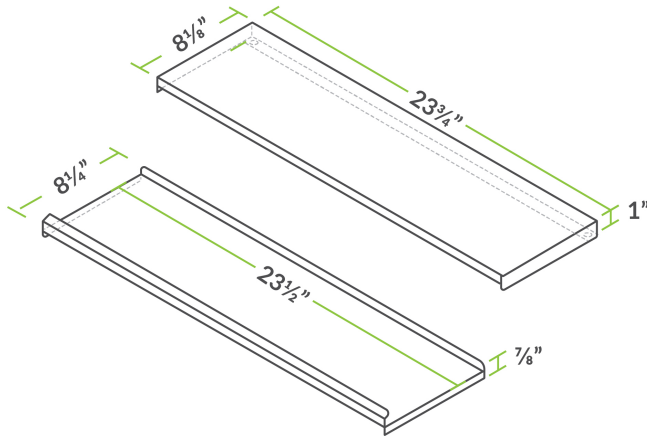
### Features

- Fits Regency 18" x 24" underbar ice bins
- 20-gauge type 304 stainless steel
- Slides front to back
- Slows the melting process with excellent cold retention
- Prevents outside objects and debris from falling into your ice

### Certifications



## Plan View



## Notes & Details

Enhance safety and sanitation while improving the quality of your ice by adding this Regency sliding lid to your 18" x 24" underbar ice bin! Many municipalities require that underbar ice bins have a cover, and this Regency lid will help you stay in compliance. Made of 20-gauge type 304 stainless steel, this lid offers exceptional durability and corrosion-resistance as well as better cold retention. Thanks to its front to back sliding design, this lid is easy to open and close, so it won't slow you down while you're making drinks in your busy bar or restaurant.

**⚠ WARNING:** This product can expose you to chemicals including lead, which are known to the State of California to cause cancer, birth defects, or other reproductive harm. For more information, go to [www.p65warnings.ca.gov](http://www.p65warnings.ca.gov).