



Regency 14" x 10" Left and Right Stainless Steel Hand Sink Splash Kit

#600HSSP14LR



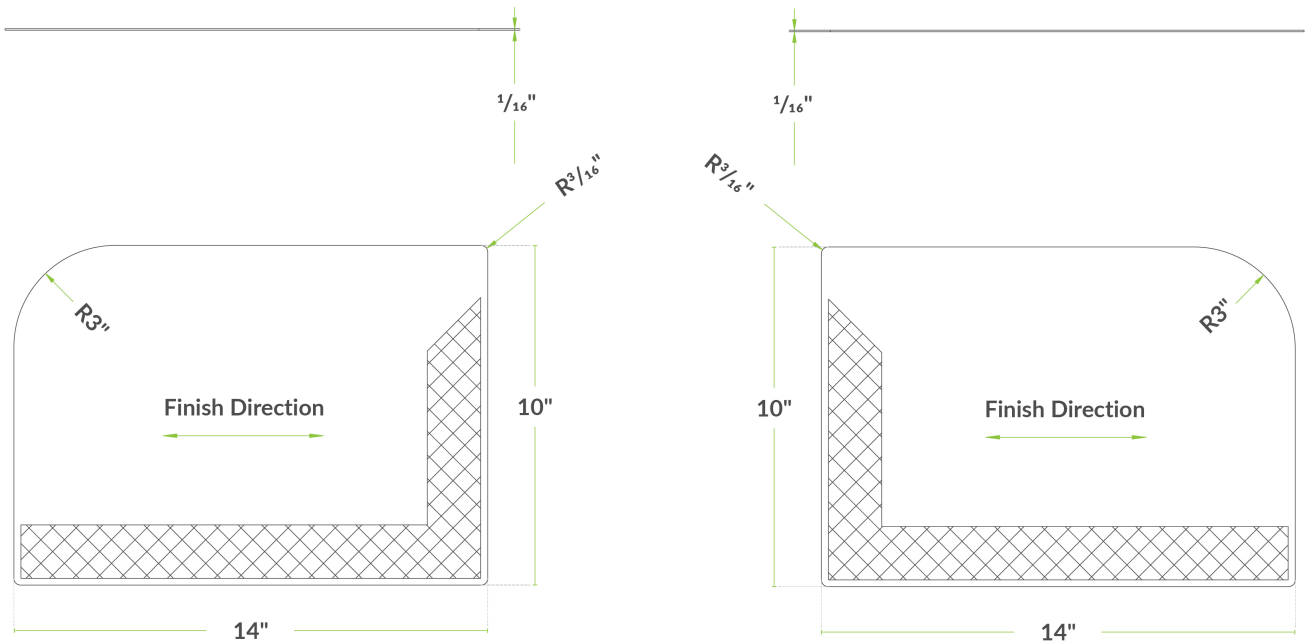
Technical Data

Depth	14 Inches
Height	10 Inches
Application	Sinks and Plumbing
Color	Silver
Gauge	18 Gauge
Material	Stainless Steel
Stainless Steel Type	Type 304
Type	Splash Guards Splash Kits

Features

- Fits hand sinks with an 8" or higher backsplash, 14" or more front to back
- Works with Regency and other popular brands including Advance Tabco
- 18 gauge type 304 stainless steel construction
- Protects both sides of the sink to meet food codes
- Includes double-sided adhesive

Plan View



Notes & Details

Prevent spills and keep your hand sink up to code by using this Regency hand sink side splash kit! This kit includes one stainless steel panel for each side of your sink, which install easily using the included double-sided adhesive. Compatible with your Regency hand sink, it can also be used on products from other popular brands including Advance Tabco - the sink just needs a backsplash measuring 8" or higher, and must measure 14" or longer from front to back.

This kit will help keep water from splashing on the floor and save you time cleaning up messes but more importantly it also ensures that your sink complies with food code. If sinks are located within 18" of food, food contact surfaces, or utensil washing and storage area surfaces you must use effective splash protection to avoid a violation, making this a much more cost-effective option to a total sink replacement or kitchen reconfiguration. Each panel is made from 18 gauge type 304 stainless steel for superior durability and corrosion resistance.

⚠ WARNING: This product can expose you to chemicals including lead, which are known to the State of California to cause cancer, birth defects, or other reproductive harm. For more information, go to www.p65warnings.ca.gov.