

REGENCY
Tables and Sinks

Regency 48" x 17 1/2" Multi-Station Hand Sink with 2 Wall Mounted Faucets

#600HMSMF1848



Technical Data

Length	48 Inches
Width	17 1/2 Inches
Height	18 Inches
Spout Length	3 1/2 Inches
Bowl Depth	8 Inches
Backsplash Height	10 Inches
Faucet Height	8 Inches
Spout Height	7 7/8 Inches
Basket Drain Size	3 1/2 Inches
Bowl Front to Back	13 3/4 Inches

Features

- Made from rugged 16 gauge type 304 stainless steel
- Punched with 2 sets of 8" centers and includes two wall mount gooseneck faucets
- Features an 8" deep bowl with a 1 1/2" IPS connection and 3 1/2" drain basket
- 10" high backsplash protects walls from water damage
- 1 5/8" tubular wall brackets and 2 stainless steel z brackets make installation a breeze

Certifications

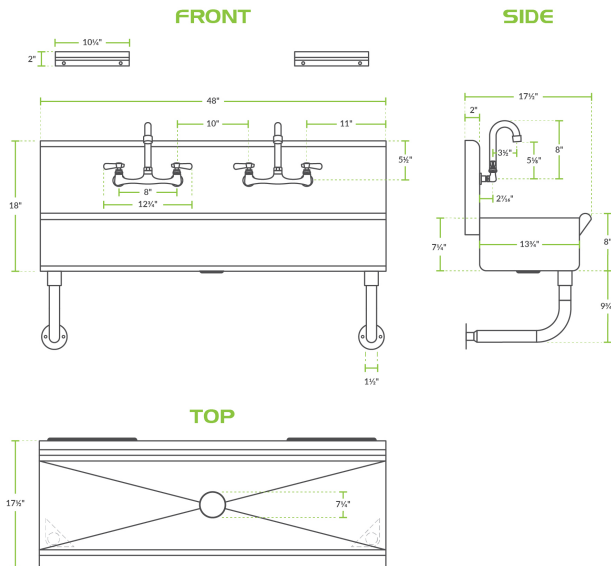


1/2" Water Connection

Technical Data

Bowl Left to Right	48 Inches
Color	Silver
Drain Outlet Size	1 1/2 Inches
Faucet Centers	8 Inches
Features	Faucet Included Multi-Station
Flow Rate	2 GPM
Gauge	16 Gauge
Handle Type	Lever
Installation Type	Wall Mounted
Material	Stainless Steel
Number of Compartments	1 Compartment
Number of Drainboards	None
Number of Faucets	2 Faucets
Spout Clearance	5 1/8 Inches
Spout Type	Gooseneck
Stainless Steel Type	Type 304
Type	Hand Sinks
Water Inlet Size	1/2 Inches

Plan View




Notes & Details

Give your employees a convenient way to quickly wash their hands with this Regency multi-station hand sink with two faucets! Make sure the employees at your industrial facility always have the ability to wash their hands by using this Regency multi-station hand sink for two faucets. It is made of durable stainless steel for longevity and comes with gooseneck faucets. This sink is especially convenient because it mounts directly to the wall and does not need a countertop for support.

Perfect for industrial applications, the advantage of a multi-station sink is that employees don't have to wait their turn to clean up. Multiple faucets and an extra wide sink bowl mean that more than one person can use the sink at a time, which in turn guarantees your employees will be more likely to wash their hands when they don't have to wait in line. This helps to maintain cleanliness in your business and prevent the spread of germs, keeping your employees healthy.

Made of rugged 16 gauge type 304 stainless steel, this sink is not only rust- and corrosion-resistant, but it's also extremely durable and built for everyday commercial use. For safety, the outer edge of the sink bowl is curled under to eliminate any sharp edges. This wall mounted sink station includes 2 sets of holes punched on 8" centers, with each center faucet hole measuring 1 1/4" in diameter, allowing you to install the included faucet. Two Regency wall mounted gooseneck faucets with 3 1/2" spouts are the perfect addition to this sink as the gooseneck shape provides the right amount of clearance for handwashing. Each faucet offers a 2 GPM flow rate and has a 1/2" NPT connection. They come equipped with two easy-to-use labeled lever handles each and feature an attractive chrome-plated brass construction.

Designed for wall mounting, this sink includes (2) 1 5/8" tubular wall brackets and 2 stainless steel Z brackets. Installation is simple and the wall brackets ensure that the sink is stable and fully supported while allowing full clearance underneath. A 10" high back splash protects your walls from splashing and water damage, and a 3 1/2" drain basket keeps your drains clog-free. The protective construction is sure to help you maintain a sanitary environment in your auto garage, distribution center, or manufacturing facility.

 **WARNING:** This product can expose you to chemicals including Lead and Nickel, which are known to the State of California to cause cancer, birth defects, or other reproductive harm. For more information, go to www.p65warnings.ca.gov.