



## Regency 24" x 17 1/2" Single-Hole Hand Sink for 1 Wall Mounted Faucet

#600HSMSB1824



### Technical Data

Length	24 Inches
Width	17 1/2 Inches
Height	20 Inches
Bowl Depth	8 Inches
Backsplash Height	10 Inches
Basket Drain Size	3 1/2 Inches
Bowl Front to Back	13 3/4 Inches
Bowl Left to Right	24 Inches
Color	Silver
Drain Outlet Size	1 1/2 Inches

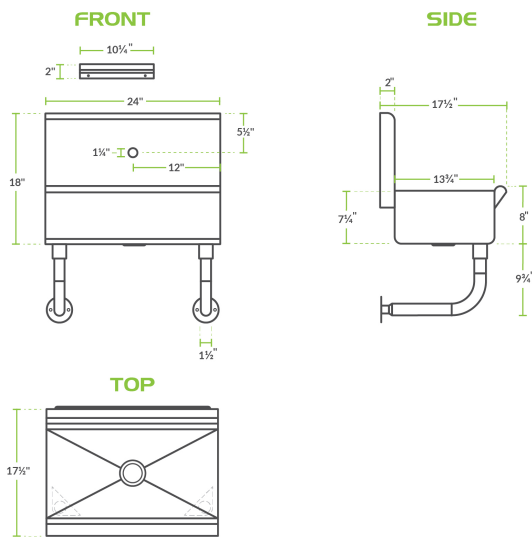
### Features

- Made from rugged 16 gauge type 304 stainless steel
- Sink punched with 1 faucet hole for wall mounted, single inlet faucets (sold separately)
- Features an 8" deep bowl with a 1 1/2" IPS drain connection and 3 1/2" drain basket
- 10" high backsplash protects walls from spills or water damage
- 1 5/8" tubular wall brackets and 2 stainless steel z brackets make installation a breeze

## Technical Data

Faucet Centers	Single
Features	Multi-Station
Gauge	16 Gauge
Installation Type	Wall Mounted
Material	Stainless Steel
Number of Compartments	1 Compartment
Number of Drainboards	None
Stainless Steel Type	Type 304
Type	Hand Sinks

## Plan View



## Notes & Details

Maintain a sanitary environment in your auto garage, distribution center, or manufacturing facility by giving your employees a convenient way to quickly wash their hands with this Regency multi-station hand sink for 1 faucet! Made of rugged 16 gauge type 304 stainless steel, this sink is not only rust- and corrosion-resistant, it's extremely durable and built for everyday commercial use.

Perfect for industrial applications, the advantage of a utility sink is that it helps to maintain cleanliness in your business and prevent the spread of germs, keeping your employees healthy.

This wall mounted sink station includes 1 set of holes for a single inlet faucet (sold separately). Installing a Regency wall mounted gooseneck faucet would be the perfect addition to this sink, as the gooseneck shape provides the right amount of clearance for handwashing. Likewise, the spacious 8" deep sink bowl is designed to accommodate multiple users for handwashing applications.

Designed for wall mounting, this sink includes (2) 1 5/8" tubular wall brackets and 2 stainless steel Z brackets. Installation is simple and the wall brackets ensure that the sink is stable and fully supported while allowing full clearance underneath. A 10" high back splash protects your walls from splashing and water damage, and a 3 1/2" drain basket keeps your drains clog-free. For safety, the outer edge of the sink bowl is curled under to eliminate any sharp edges.

 **WARNING:** This product can expose you to chemicals including lead, which are known to the State of California to cause cancer, birth defects, or other reproductive harm. For more information, go to [www.p65warnings.ca.gov](http://www.p65warnings.ca.gov).