



Regency 120" x 17 1/2" Single-Hole Multi-Station Hand Sink for 5 Wall Mounted Faucets

#600HSMSB18120



Technical Data

Length	120 Inches
Width	17 1/2 Inches
Bowl Depth	8 Inches
Backsplash Height	10 Inches
Basket Drain Size	3 1/2 Inches
Bowl Left to Right	120 Inches
Color	Silver
Drain Outlet Size	1 1/2 Inches
Faucet Centers	Single
Features	Multi-Station

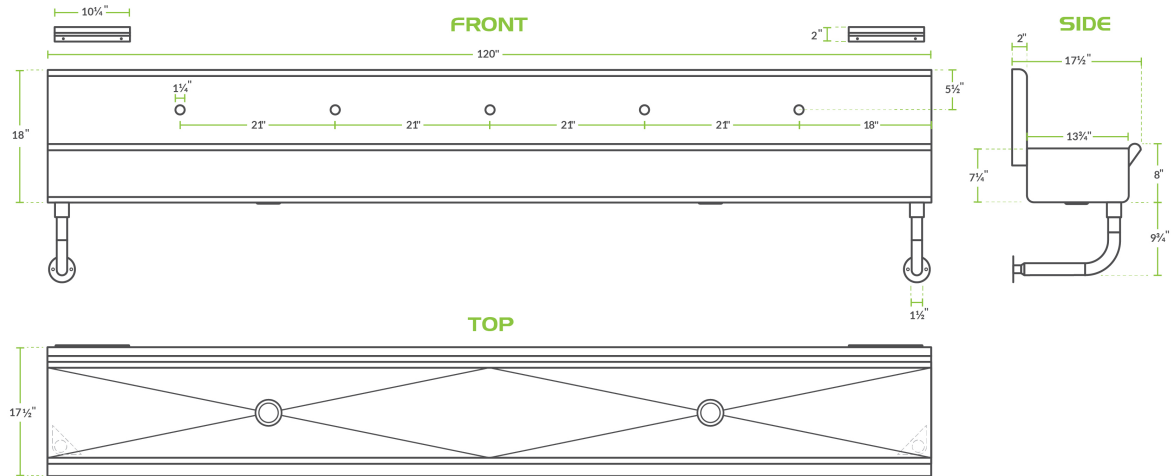
Features

- Made from rugged 16 gauge type 304 stainless steel
- Sink punched with 5 faucet holes for wall mounted, single inlet faucets (sold separately)
- Features an 8" deep bowl with a 1 1/2" IPS drain connection and includes (2) 3-1/2" drain baskets
- 10" high backsplash protects walls from spills or water damage
- 1 5/8" tubular wall brackets and 2 stainless steel z brackets make installation a breeze

Technical Data

Gauge	16 Gauge
Installation Type	Wall Mounted
Material	Stainless Steel
Number of Compartments	1 Compartment
Number of Drainboards	None
Stainless Steel Type	Type 304
Type	Hand Sinks

Plan View




Notes & Details

Maintain a sanitary environment in your auto garage, distribution center, or manufacturing facility by giving your employees a convenient way to quickly wash their hands with this Regency multi-station hand sink for 5 faucets! Made of rugged 16 gauge type 304 stainless steel, this sink is not only rust- and corrosion-resistant, it's extremely durable and built for everyday commercial use.

Perfect for industrial applications, the advantage of a multi-station sink is that employees don't have to wait their turn to clean up. Multiple faucets and an extra wide sink bowl mean that more than one person can use the sink at a time, which in turn guarantees your employees will be more likely to wash their hands when they don't have to wait in line. This helps to maintain cleanliness in your business and prevent the spread of germs, keeping your employees healthy.

This wall mounted sink station includes 5 sets of holes for 5 single inlet faucets (sold separately). Installing Regency wall mounted gooseneck faucets would be the perfect addition to this sink, as the gooseneck shape provides the right amount of clearance for handwashing. Likewise, the spacious 8" deep sink bowl is designed to accommodate multiple users for handwashing applications.

Designed for wall mounting, this sink includes (2) 1 5/8" tubular wall brackets and 2 stainless steel Z brackets. Installation is simple and the wall brackets ensure that the sink is stable and fully supported while allowing full clearance underneath. A 10" high back splash protects your walls from splashing and water damage, and includes (2) 3 1/2" drain baskets to keep your drain clog-free. For safety, the outer edge of the sink bowl is curled under to eliminate any sharp edges.

 **WARNING:** This product can expose you to chemicals including lead, which are known to the State of California to cause cancer, birth defects, or other reproductive harm. For more information, go to www.p65warnings.ca.gov.