

REGENCY
Tables and Sinks

Regency 17" x 15" Wall Mounted Hand Sink with Gooseneck Faucet and Wrist Blades

#600HS17WBK



Technical Data

Height	13 1/2 Inches
Spout Length	3 1/2 Inches
Bowl Depth	5 Inches
Faucet Height	7 7/8 Inches
Spout Height	3 1/2 Inches
Bowl Front to Back	10 Inches
Bowl Left to Right	14 Inches
Faucet Centers	4 Inches
Features	Faucet Included NSF Listed

Features

- 3 1/2" gooseneck faucet
- Wrist handles for preventing cross contamination
- 20 gauge type 304 stainless steel construction
- Includes keyhole mounting bracket
- Perfect for kitchens, janitor closets, and restrooms

Certifications



NSF Listed



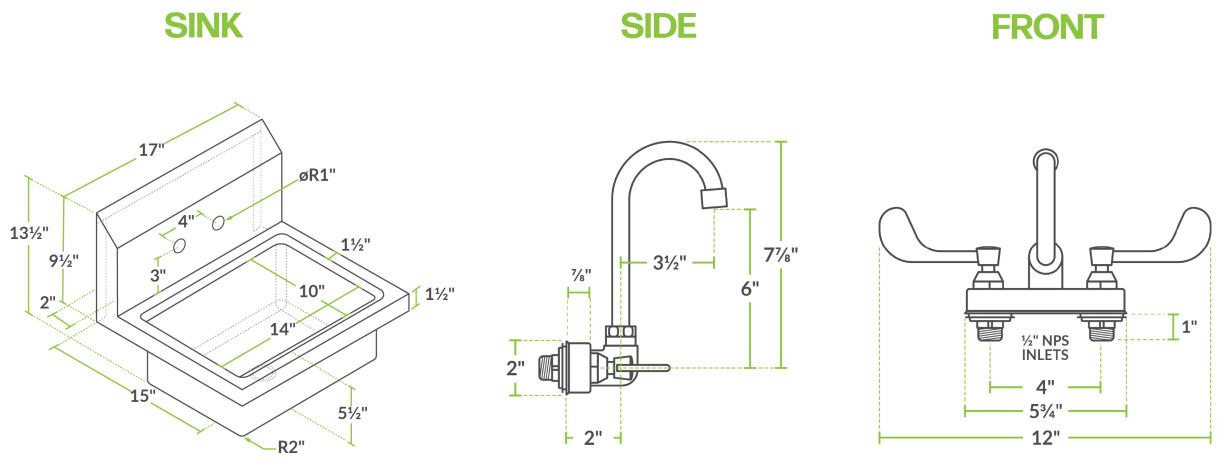
1/2"

1/2" Water Connection

Technical Data

Flow Rate	2 GPM
Front to Back	15 Inches
Gauge	20 Gauge
Handle Type	Wrist
Installation Type	Wall Mounted
Left to Right	17 Inches
Material	Stainless Steel
Number of Compartments	1 Compartment
Number of Faucets	1 Faucets
Spout Clearance	6 Inches
Spout Type	Gooseneck
Stainless Steel Type	Type 304
Type	Hand Sinks
Water Inlet Size	1/2 Inches

Plan View



Notes & Details

Improve your operation's overall sanitation and help prevent cross contamination with this Regency wall mounted NSF hand sink. Thanks to a splash-mounted 3 1/2" gooseneck faucet and built-in wrist handles, this unit is the perfect choice for busy kitchens, janitor closets, restrooms, or industrial locations. The long handle design allows users to keep dirty hands from directly touching the levers, decreasing the potential for bacteria to transfer from one individual to the next.

Durable, one-piece type 304 stainless steel construction adds extended durability, in addition to making the unit easy to clean. For easy installation and unparalleled stability, a keyhole style mounting bracket is featured on the unit's rear. It comes standard with a 1 1/2" IPS drain basket.

⚠ WARNING: This product can expose you to chemicals including Lead and Nickel, which are known to the State of California to cause cancer, birth defects, or other reproductive harm. For more information, go to www.p65warnings.ca.gov.