

REGENCY
Tables and Sinks

Regency 17" x 15" Wall Mounted Hand Sink with Side Splashes, Top Mounted Paper Towel, and Soap Dispenser

#600HS17SPDST



Technical Data

Length	17 Inches
Width	15 Inches
Height	23 Inches
Bowl Depth	5 1/2 Inches
Basket Drain Size	1 1/2 Inches
Bowl Front to Back	10 Inches
Bowl Left to Right	14 Inches
Color	Silver
Faucet Centers	4 Inches
Gauge	18 - 20 Gauge

Features

- 1 1/2" IPS drain baskets included
- 18-gauge type 304 stainless steel side splashes and a wall mounted clip
- Single 14" x 10" x 5 1/2" bowl
- Features a welded top mounted paper towel dispenser
- 20-gauge type 304 stainless steel; mounting hardware not included

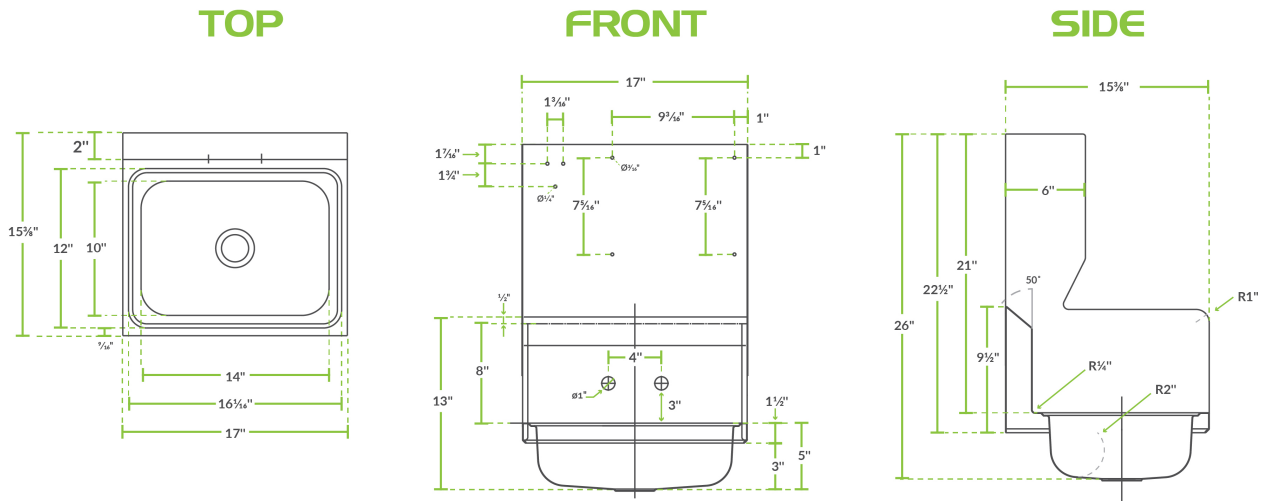
Certifications



Technical Data

Features	Massachusetts Accepted Plumbing Product NSF Listed Paper Towel Dispenser Side Splashes Soap Dispenser
Installation Type	Wall Mounted
Material	Stainless Steel
Stainless Steel Type	Type 304
Type	Hand Sinks
Water Inlet Size	1/2 Inches

Plan View



Notes & Details

Keep your restaurant up to code without sacrificing space with this space saver hand sink with side splash. Suitable for wall or surface mounting, this sink comes standard with a single 14" x 10" x 5 1/2" bowl and 8" high side splashes. Additionally, this hand sink has two holes punched on 4" centers. This sink offers an economical, 20-gauge type 304 stainless steel construction along its top and bowl, in addition to 18-gauge type 304 stainless steel side splashes and a wall mounted clip. It comes standard with a 1 1/2" IPS drain basket.

The top-mounted paper towel dispenser is made of durable 18-gauge type 304 stainless steel for long-lasting use. It holds enough towels that you can stay focused on other tasks and not have to constantly worry about refilling it. This towel dispenser comes with a key so that you can lock it and restrict access. It's a useful feature for all applications, but particularly in ones where damage or risk of tampering is a concern.

⚠ WARNING: This product can expose you to chemicals including lead, which are known to the State of California to cause cancer, birth defects, or other reproductive harm. For more information, go to www.p65warnings.ca.gov.