



## Regency 17" x 15" Wall-Mounted Hand Sink with Gooseneck Faucet and Side Splash

#600HS17SP



### Technical Data

Length	17 Inches
Width	15 Inches
Height	13 1/2 Inches
Bowl Depth	5 1/2 Inches
Faucet Height	8 Inches
Spout Height	8 Inches
Bowl Front to Back	10 Inches
Bowl Left to Right	14 Inches
Faucet Centers	4 Inches
Flow Rate	2 GPM

### Features

- 8" gooseneck faucet and 1 1/2" IPS drain baskets included
- 18 gauge type 304 stainless steel side splashes and a wall-mounted clip
- 20 gauge type 304 stainless steel
- Holes punched on 4" centers
- Single 14" x 10" x 5 1/2" bowl and 8" backsplash

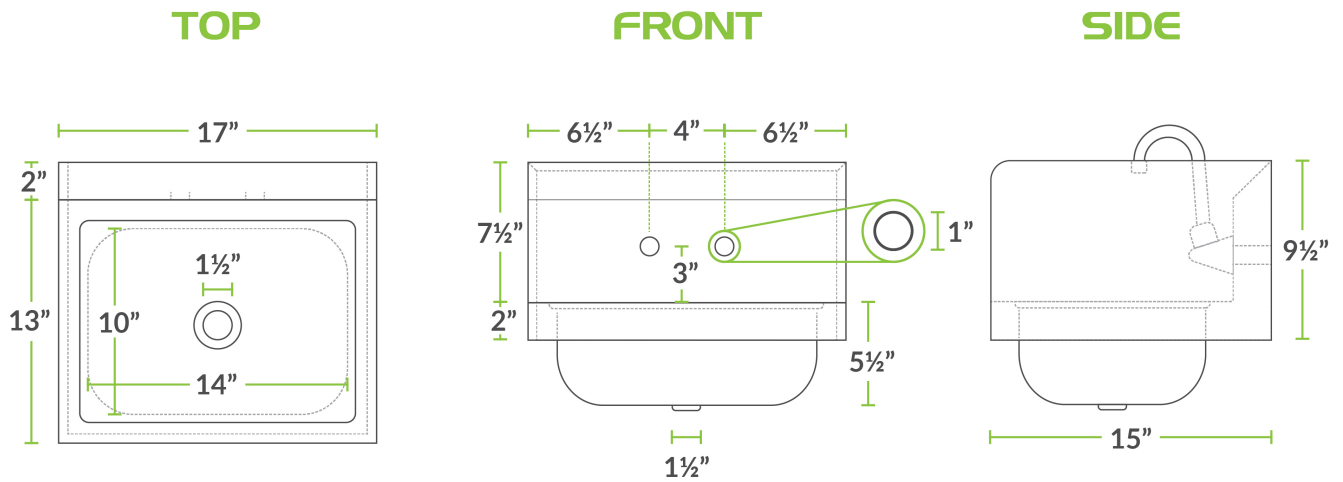
### Certifications



## Technical Data

Features	Faucet Included Massachusetts Accepted Plumbing Product NSF Listed Side Splashes
Gauge	20 Gauge
Installation Type	Wall Mounted
Material	Stainless Steel
Number of Compartments	1 Compartment
Number of Faucets	1 Faucets
Spout Type	Gooseneck
Stainless Steel Type	Type 304
Type	Hand Sinks

## Plan View



## Notes & Details

Keep your restaurant up to code without sacrificing space with this space saver hand sink with side splash. Suitable for wall or surface mounting, this sink comes standard with a single 14" x 10" x 5 1/2" bowl and 8" high back and side splashes. Additionally, this hand sink has two holes punched on 4" centers to accept its included Regency 8" gooseneck faucet.

This sink offers an economical, 20 gauge type 304 stainless steel construction along its top, bowl, and backspash, in addition to 18 gauge type 304 stainless steel side splashes and a wall-mounted clip. It comes standard with a 1 1/2" IPS drain basket.

**⚠️ WARNING:** This product can expose you to chemicals including Lead and Nickel, which are known to the State of California to cause cancer, birth defects, or other reproductive harm. For more information, go to [www.p65warnings.ca.gov](http://www.p65warnings.ca.gov).