

REGENCY
Tables and Sinks

Regency 17" x 15" Wall Mounted Hand Sink with Gooseneck Faucet

#600HS17



Technical Data

Length	17 Inches
Width	15 Inches
Height	13 1/2 Inches
Bowl Depth	5 1/2 Inches
Faucet Height	8 Inches
Spout Height	8 Inches
Bowl Front to Back	10 Inches
Bowl Left to Right	14 Inches
Faucet Centers	4 Inches
Flow Rate	2 GPM

Features

- Includes 8" gooseneck faucet, 1 1/2" IPS drain baskets, and mounting bracket
- 20-gauge type 304 stainless steel
- Holes punched on 4" centers
- Single 14" x 10" bowl
- 8" high backsplash

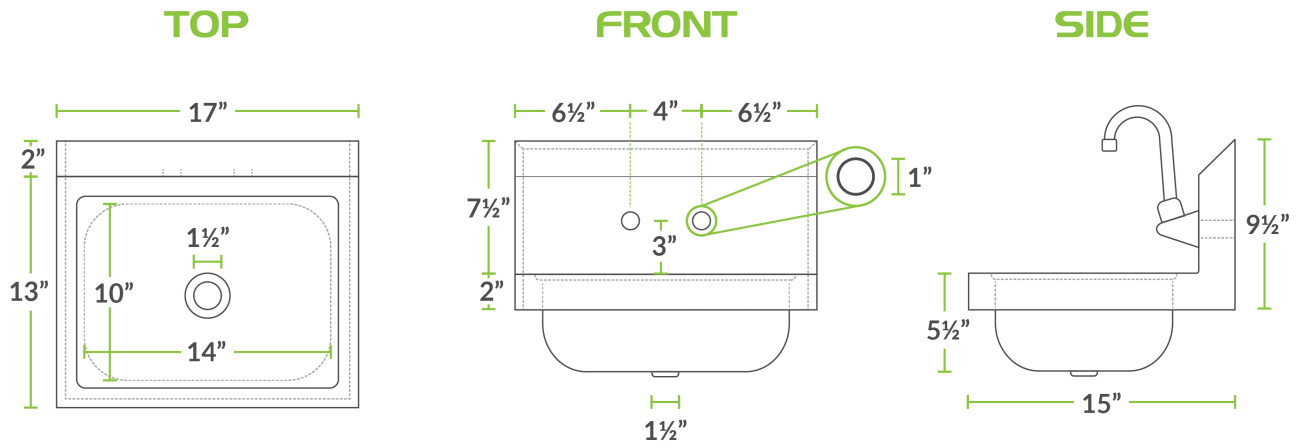
Certifications



Technical Data

Features	Faucet Included Massachusetts Accepted Plumbing Product NSF Listed
Gauge	20 Gauge
Installation Type	Wall Mounted
Material	Stainless Steel
Number of Compartments	1 Compartment
Number of Faucets	1 Faucets
Spout Type	Gooseneck
Stainless Steel Type	Type 304
Type	Hand Sinks

Plan View



Notes & Details

Pass health inspections while following HACCP guidelines with this Regency SEHS-17 wall mount hand sink! This hand sink is made of type 304 stainless steel for long-lasting durability, and includes the Regency 8" gooseneck faucet on 4" centers so you can immediately start using it when it arrives at your business.

This stainless steel hand sink features a 14" x 10" bowl which provides plenty of room for hand washing. It also includes a 1 1/2" IPS drain, ensuring that stagnant water won't collect. This sink also comes with a wall clip and requires three screws for installation.

⚠ WARNING: This product can expose you to chemicals including Lead and Nickel, which are known to the State of California to cause cancer, birth defects, or other reproductive harm. For more information, go to www.p65warnings.ca.gov.