

**REGENCY**  
Tables and Sinks

## Regency 17" x 17" Wall Mounted Hand Sink with 4" Centers for Deck Mounted Faucet

#600HS172HDM



### Technical Data

Length	17 Inches
Width	17 Inches
Height	13 Inches
Bowl Depth	5 Inches
Backsplash Height	8 Inches
Basket Drain Size	1 1/2 Inches
Bowl Front to Back	10 Inches
Bowl Left to Right	14 Inches
Color	Silver
Faucet Centers	4 Inches

### Features

- 20 gauge type 304 stainless steel
- 18 gauge type 304 stainless steel wall mounted clip
- Holes punched on deck at 4" centers
- Includes 1 1/2" IPS drain basket
- Single 14" x 10" x 5" bowl

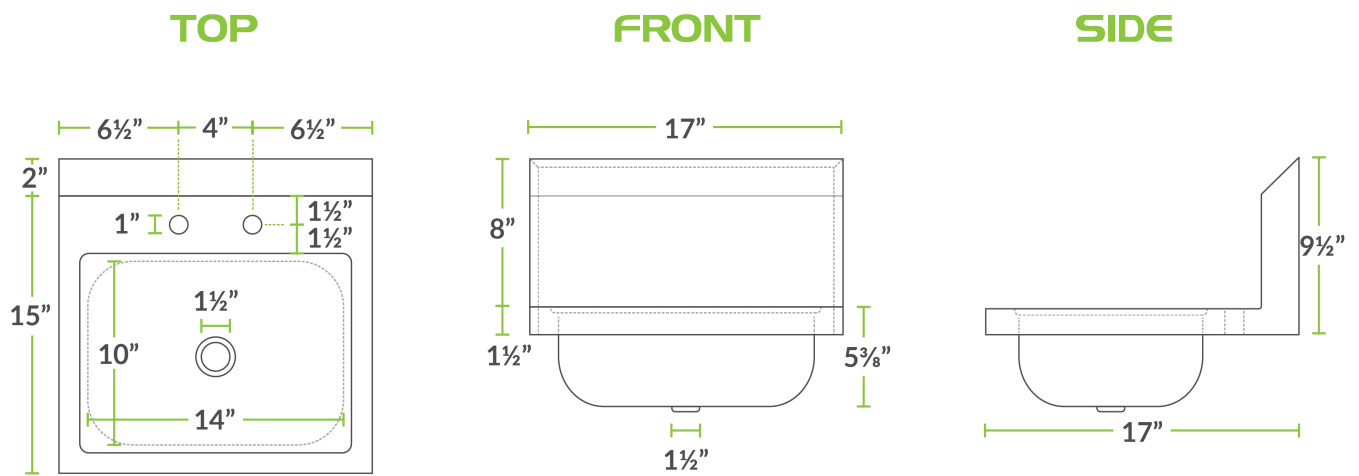
### Certifications



## Technical Data

Features	Massachusetts Accepted Plumbing Product NSF Listed
Gauge	20 Gauge
Installation Type	Wall Mounted
Material	Stainless Steel
Number of Compartments	1 Compartment
Number of Faucets	1 Faucets
Stainless Steel Type	Type 304
Type	Hand Sinks

## Plan View



## Notes & Details

Keep your restaurant up to code without sacrificing space by using this 14" x 10" hand sink. Suitable for wall or surface mounting, this sink comes standard with a single 14" x 10" x 5" bowl and 8" high backsplash. It has two holes punched on 4" centers to accept a deck mounted faucet of your choice.

This sink offers an economical, 20 gauge type 304 stainless steel construction for its top, bowl, and backsplash, in addition to an 18 gauge type 304 stainless steel wall mount clip. It comes standard with a 1 1/2" IPS drain basket.

**⚠ WARNING:** This product can expose you to chemicals including Lead and Nickel, which are known to the State of California to cause cancer, birth defects, or other reproductive harm. For more information, go to [www.p65warnings.ca.gov](http://www.p65warnings.ca.gov).