

REGENCY
Tables and Sinks

Regency 17" x 15" Wall-Mounted Hand Sink with 6 1/8" Gooseneck Spout Sensor Faucet

#600HS172EFW4



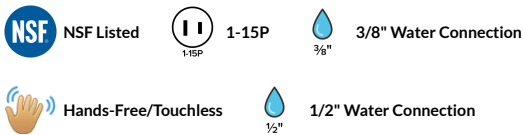
Technical Data

Height	13 1/2 Inches
Spout Length	6 13/16 Inches
Bowl Depth	5 Inches
Backsplash Height	9 1/2 Inches
Faucet Height	11 5/16 Inches
Backsplash	With Backsplash
Basket Drain Size	1 1/2 Inches
Battery Type	AA
Bowl Front to Back	10 Inches
Bowl Left to Right	14 Inches

Features

- Durable 20 gauge, type 304 stainless steel construction
- Holes punched on 4" centers
- Single deep drawn 10" x 14" x 5" sink bowl with 9 1/2" backsplash
- Faucet has 6 13/16" gooseneck spout, 2.2 GPM flow rate
- Solid chrome-plated brass construction for long life of the faucet

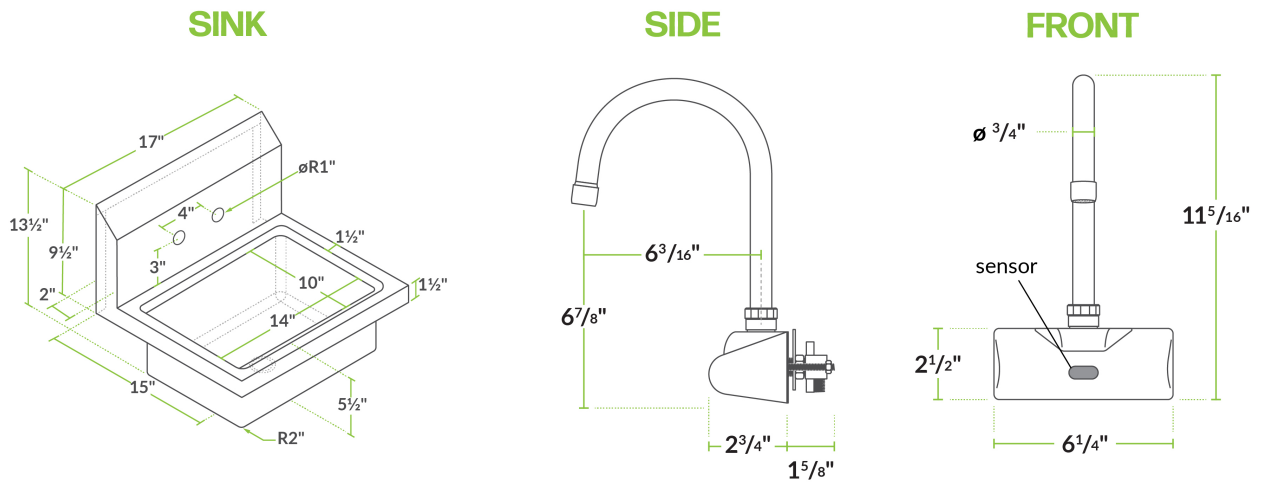
Certifications



Technical Data

Color	Silver
Faucet Centers	4 Inches
Features	Electronic Faucet Faucet Included Hands Free NSF Listed
Finish	Chrome
Flow Rate	2.2 GPM
Front to Back	15 Inches
Gauge	20 Gauge
Installation Type	Wall Mounted
Left to Right	17 Inches
Material	Brass Stainless Steel
Number of Compartments	1 Compartment
Number of Faucets	1 Faucets
Plug Type	NEMA 1-15P
Spout Clearance	6 7/8 Inches
Spout Type	Gooseneck
Stainless Steel Type	Type 304
Type	Hand Sinks
Water Inlet Size	1/2 Inches 3/8 Inches

Plan View




Notes & Details

This Regency 15" wall mounted hand sink is made of 20 gauge type 304 series stainless steel and provides an affordably priced hand washing station for any commercial kitchen. It comes with a Waterloo 11 5/16" wall-mounted, hands-free faucet with a 6 13/16" gooseneck spout, which means you have everything you need to put your sink together with this kit. It features a single deep drawn 10" x 14" x 5" sink bowl, accented by a 9 1/2" high back splash. A 1 1/2" IPS stainless steel basket drain with drain basket allows for easy cleaning. This hand sink has two holes punched on 4" centers to accept the included faucet.

The included wall-mounted faucet is the perfect solution when you need a dependable water fixture for your facility's restrooms and hand-washing areas! It features an 11 5/16" high gooseneck spout on a base with 2 mounting holes, to provide a contemporary and refined look wherever it's installed. Because a sensor activates the water flow, it has several advantages over a traditional handle-style faucet. It is hands-free, which reduces the opportunity for germs to spread, and it also prevents the faucet from running when it's not needed, which helps to cut down on your water bill.

An AC adapter is included to provide power for the faucet's control module, which installs below the countertop and connects to the faucet with an elbow and a 30" flexible supply line. Or, you can also use (4) AA batteries if an outlet isn't convenient, and to provide backup power in case of an outage. A mixing valve also allows you to easily set the output temperature to the desired level. This prevents burned hands from water that is too hot, while still ensuring that the water is warm enough for users to effectively wash their hands. A pair of 18" flexible stainless steel connectors with 1/2" NPSM female x 3/8" female compression fittings connect the mixing valve to your building's water lines. With a heavy chrome-plated brass faucet body, you can install this model with confidence.

 **WARNING:** This product can expose you to chemicals including lead, which are known to the State of California to cause cancer, birth defects, or other reproductive harm. For more information, go to www.p65warnings.ca.gov.