

REGENCY
Tables and Sinks

Regency 17" x 15" Wall Mounted Hand Sink for Hands-Free Faucet

#600HS171H



Technical Data

Height	13 1/2 Inches
Bowl Depth	5 Inches
Bowl Front to Back	10 Inches
Bowl Left to Right	14 Inches
Features	Massachusetts Accepted Plumbing Product NSF Listed
Front to Back	15 Inches
Gauge	20 Gauge
Installation Type	Wall Mounted
Left to Right	17 Inches

Features

- 1" hole for a wall mounted hands-free faucet or pedal-controlled faucet
- Perfect for hand washing throughout the workday
- 20-gauge type 304 stainless steel
- Includes 1 1/2" IPS drain basket and 18-gauge, type 304 stainless steel clip for mounting
- Single 10" x 14" x 5" bowl and 8" high backsplash

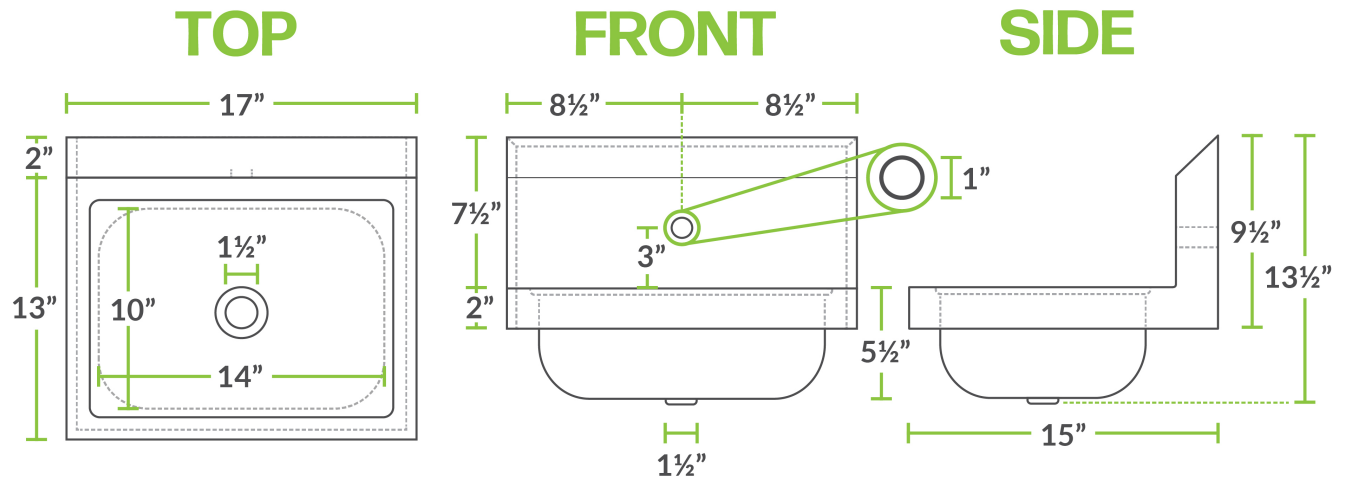
Certifications



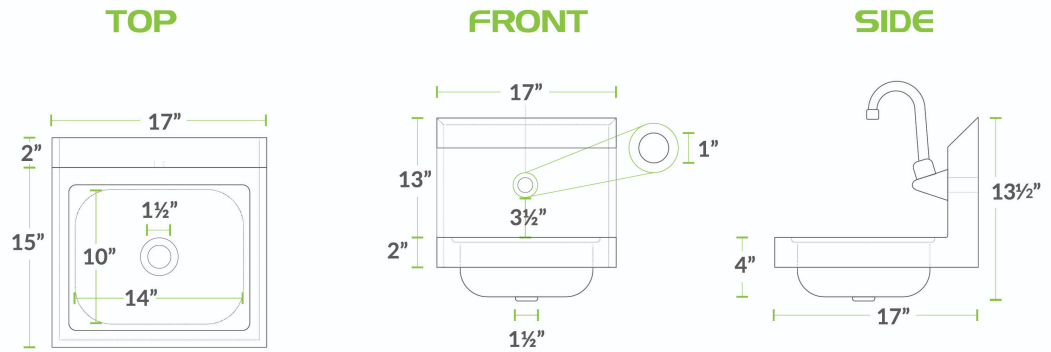
Technical Data

Material	Stainless Steel
Number of Compartments	1 Compartment
Number of Faucets	1 Faucets
Stainless Steel Type	Type 304
Type	Hand Sinks

Plan View




600HS17EFW



Notes & Details

Ensure that your commercial kitchen, janitorial closet, and other areas have a designated hand washing station with this Regency single splash wall mounted hand sink! This durable 20-gauge, type 304 stainless steel sink has a 10" x 14" x 5" compartment, while your walls are protected from water by the 8" high backsplash that features a 1" hole for a wall-mounted, hands-free faucet or for a foot pedal-operated faucet (sold separately). A 1 1/2" IPS basket drain is included, and the unit is easily mounted with the included 18-gauge, type 304 stainless steel clips.

 **WARNING:** This product can expose you to chemicals including Lead and Nickel, which are known to the State of California to cause cancer, birth defects, or other reproductive harm. For more information, go to www.p65warnings.ca.gov.