

REGENCY
Tables and Sinks

Regency 12" x 16" Wall Mounted Hands-Free Hand Sink with 11 1/8" Gooseneck Sensor Faucet

#600HS12EFW



Technical Data

Length	12 Inches
Width	15 3/4 Inches
Height	13 Inches
Spout Length	6 3/16 Inches
Bowl Depth	4 Inches
Faucet Height	11 1/16 Inches
Spout Height	11 1/8 Inches
Basket Drain Size	1 1/2 Inches
Bowl Front to Back	9 Inches
Bowl Left to Right	9 Inches

Features

- Includes hands-free 11 1/8" gooseneck sensor faucet
- 20-gauge type 304 stainless steel construction
- 9" x 9" x 4" bowl with no-drip countertop edge
- Includes 1 1/2" IPS drain basket
- 8" high backsplash, (2) 18" stainless steel supply lines

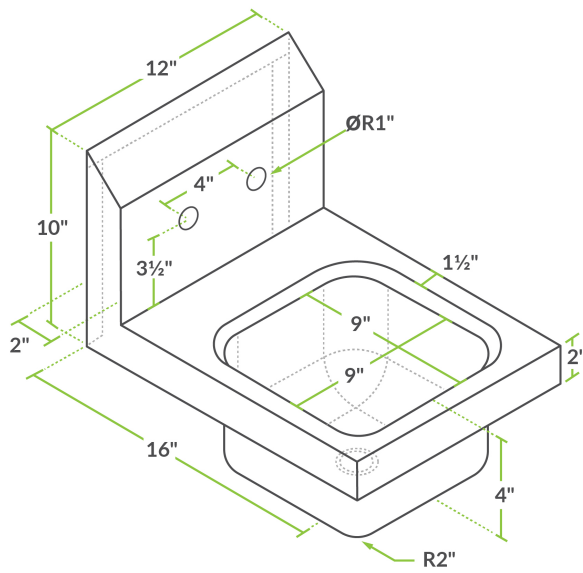
Certifications



Technical Data

Color	Silver
Faucet Centers	Single
Features	Faucet Included Flex Inlets Included Hands Free NSF Listed
Flow Rate	2.2 GPM
Gauge	20 Gauge
Installation Type	Wall Mounted
Material	Stainless Steel
Number of Drainboards	None
Number of Faucets	1 Faucets
Spout Clearance	6 5/8 Inches
Spout Type	Gooseneck
Stainless Steel Type	Type 304
Type	Hand Sinks
Water Inlet Size	1/2 Inches

Plan View




Notes & Details

Clean hands keep all aspects of your business running smoothly, and with this Regency 12" x 16" hands-free hand sink, you'll be able to meet health code regulations and help promote a cleaner, healthier work environment for you and your customers. This easy-to-clean, easy-to-install compact sink easily fits in tight spaces and securely attaches to the wall, opening up floor space for other uses.

It features 20-gauge stainless steel construction on the top and bowl, which provides the durability needed to stand up to daily wear and tear, at a price point that won't break the bank. Type 304 stainless steel is used to give the sink additional corrosion resistance where you need it most. It features a 9" x 9" x 4" bowl with no-drip countertop edge that keeps splashes and spills contained and encourages water to flow down into the sink bowl, rather than sitting on the sink or dripping down the side and onto the floor.

This sink also comes with a Waterloo hands-free sensor faucet with an 6 3/16" gooseneck spout that provides plenty of space for hand-washing. Because a sensor activates water flow instead of your hands, it reduces the opportunity for germs to spread. This also prevents the faucet from running when it's not needed, which helps to cut down on your water bill. The faucet installs through the pre-drilled hole in the sink's backsplash, while a mixing valve and (2) 1/8" stainless steel supply lines make it easy to attach it to your water lines and set the outlet temperature. A 1 1/2" IPS removable drain basket makes it easy to catch debris and remove it for easy clean-up. An 8" high backsplash guards your walls against water, dirt, and debris.

 **WARNING:** This product can expose you to chemicals including lead, which are known to the State of California to cause cancer, birth defects, or other reproductive harm. For more information, go to www.p65warnings.ca.gov.