

REGENCY
Tables and Sinks

Regency Stainless Steel Corrugated Top Glass Rack Storage Unit - 23" x 24"

#600GRSU2324C



Technical Data

Length	24 Inches
Width	23 Inches
Height	33 Inches
Backsplash Height	3 Inches
Shelf Height	7 1/8 Inches
Work Surface Height	30 Inches
Backsplash	With Backsplash
Base Style	Cabinet
Drain Size	1 Inch
Features	NSF Listed

Features

- Made of durable 18 gauge, 304 stainless steel
- Corrugated top and stainless steel legs and feet
- 3" backsplash protects walls
- Open front; 7 3/16" high sections can hold up to three full size glass racks
- Perfect for bar service settings

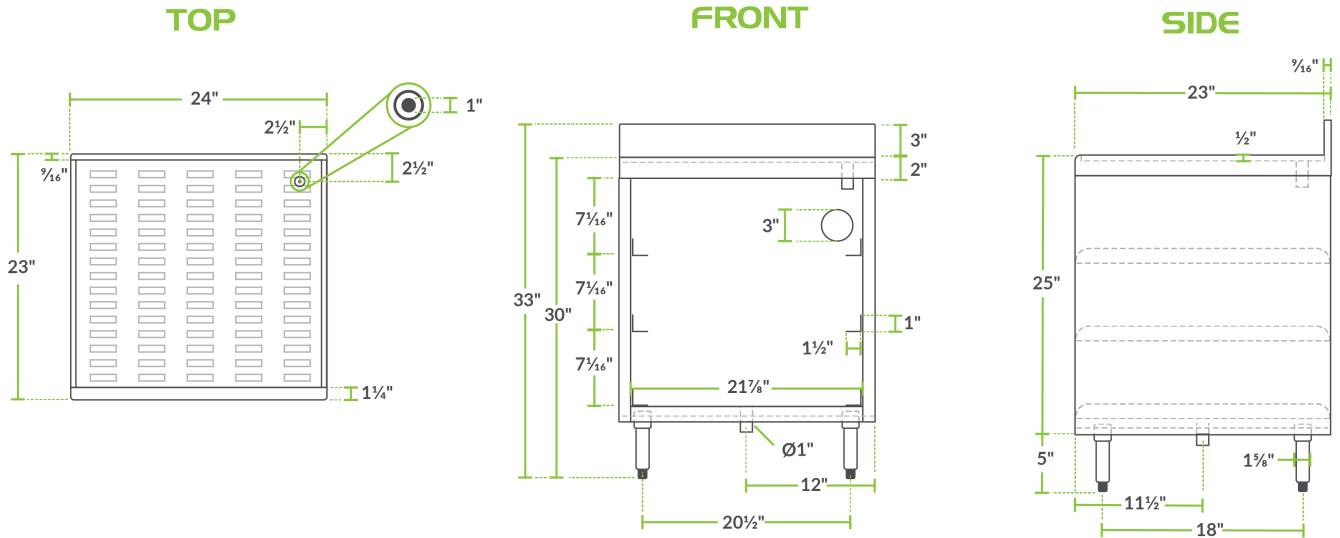
Certifications



Technical Data

Leg Construction	Stainless Steel
Material	Stainless Steel
Top Style	Corrugated
Type	Glass Rack Storage Units

Plan View



Notes & Details

Store your glassware and keep it close enough for easy access with this Regency stainless steel corrugated top glass rack storage unit. An enclosed base cabinet is fitted with glass rack slides $7 \frac{3}{16}$ " apart and can hold up to three racks at once. A 3" backsplash, integrated drain, and corrugated top all allow for easy cleanup. Plus, the top of the cabinet is a convenient place for drying glasses or unloading glass racks.

This glass rack storage unit is constructed of all 18 gauge type 304 stainless steel for long-lasting durability and corrosion-resistance. Additionally, the 3" diameter drain hole in the back panel makes for easy plumbing maintenance and the 1" IPS drain tubing is included for convenient installation.

With 6" stainless steel legs that fit into stainless steel sockets and have bullet feet, this unit keeps glass racks up off the floor for sanitary storage. Plus, the legs give you enough clearance to clean beneath the cabinet.

WARNING: This product can expose you to chemicals including Lead and Nickel, which are known to the State of California to cause cancer, birth defects, or other reproductive harm. For more information, go to www.p65warnings.ca.gov.