



Regency 10" x 48" Wooden Adjustable Cutting Board for 48" Long Equipment Stands

#600ESWCB48



Technical Data

Length	48 Inches
Width	10 Inches
Features	NSF Listed
Material	Wood
Thickness	1 1/4 Inches
Type	Cutting Boards

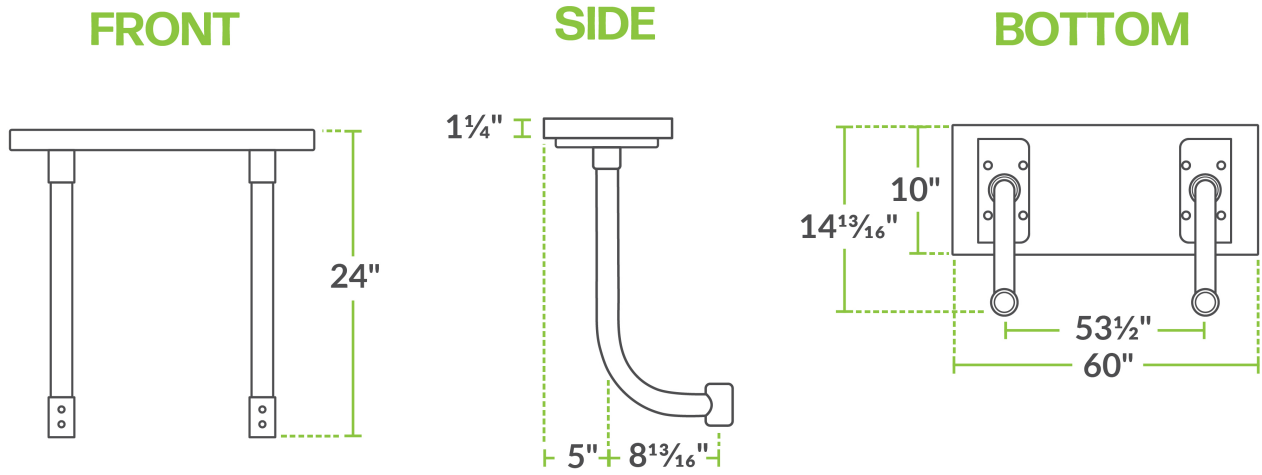
Features

- 1 1/4" thick maple hardwood cutting board
- Adds a convenient work surface to 48" long equipment stands
- Mounts to equipment stand with curved, stainless steel legs and welded sockets
- Adjustable height
- Easy to install

Certifications



Plan View



Notes & Details

This Regency wooden adjustable cutting board is the perfect addition to any equipment stand. Not only does it provide a convenient surface for placing ingredients or assembling sides, but it's perfect for chopping, slicing, dicing, and even carving. It adds versatility to your equipment stand to maximize space. Plus, because it's made of 1 1/4" thick maple hardwood, it's sturdy and long-lasting and won't dull knives.

Two stainless steel, curved legs attach the board to your 48" long equipment stand, and two stainless steel welded sockets hold it in place. This method of installation allows the cutting board to easily adjust in height; just raise or lower where the sockets screw onto the equipment stand. Hardware sold separately.

⚠ WARNING: This product can expose you to chemicals including lead, which are known to the State of California to cause cancer, birth defects, or other reproductive harm. For more information, go to www.p65warnings.ca.gov.