

**REGENCY**  
Tables and Sinks

## Regency 30" x 24" 16-Gauge Stainless Steel Equipment Stand with Galvanized Undershef

#600ES3024G



### Technical Data

Length	24 Inches
Width	30 Inches
Height	26 Inches
Work Surface Height	24 Inches
Backsplash	With Backsplash
Features	Customizable Height NSF Listed With Undershef
Gauge	16 Gauge
Leg Construction	Galvanized Steel

### Features

- 16-gauge stainless steel top shelf
- Galvanized steel undershef and legs with adjustable plastic bullet feet
- Aluminum corner bracket on undershef
- 2" edging keeps equipment from falling off
- 700 lb. top shelf weight capacity; 540 lb. undershef weight capacity

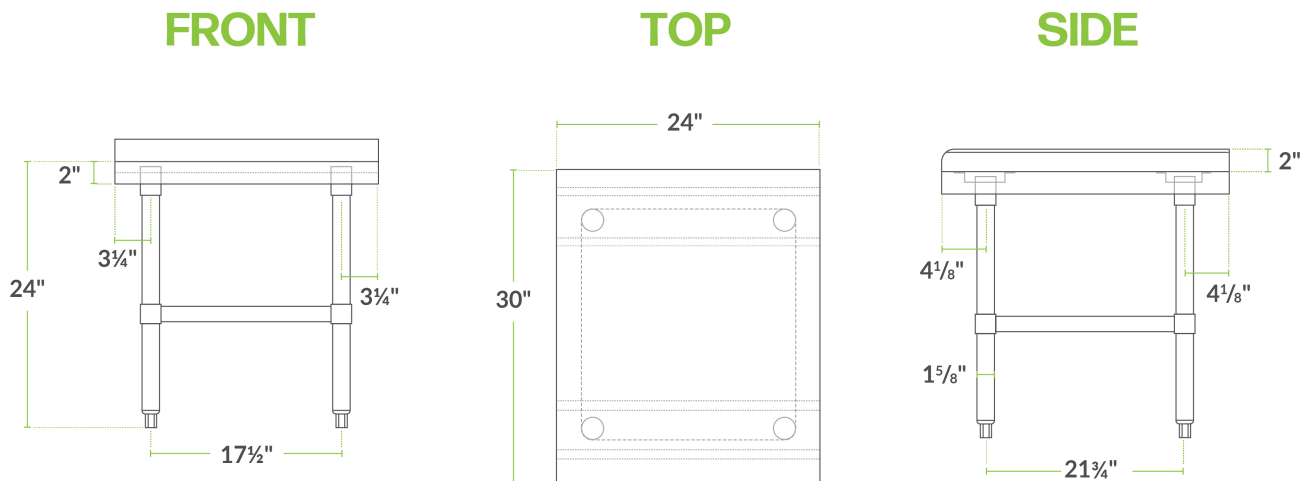
### Certifications



## Technical Data

Size	30" x 24"
Stainless Steel Type	Type 304
Table Style	Undershelf
Top Capacity	700 lb.
Top Material	Stainless Steel
Type	Equipment Stands
Undershelf Capacity	540 lb.
Undershelf Construction	Galvanized Steel
Usage	Standard Duty

## Plan View



600ES3024G

## Notes & Details

This Regency 30" x 24" stainless steel equipment stand is built to stand up to daily use in even the busiest commercial settings! It features a durable 16-gauge type 304 stainless steel top shelf that can support up to 700 lb. of evenly distributed weight, while the galvanized steel undershelf can hold 540 lb. Aluminum corner brackets help support the bottom shelf, as well.

This stand is ideal for heavy countertop equipment like slushy machines, beverage dispensers, soft serve ice cream machines, and more! A 2" edging comes standard to help contain equipment and contents for added safety. This unit stands on sturdy galvanized steel legs with adjustable plastic bullet feet that allow you to level the stand on uneven surfaces.

**⚠ WARNING:** This product can expose you to chemicals including Lead and Nickel, which are known to the State of California to cause cancer, birth defects, or other reproductive harm. For more information, go to [www.p65warnings.ca.gov](http://www.p65warnings.ca.gov).