

REGENCY
Tables and Sinks

Regency 24" x 24" 16-Gauge Stainless Steel Equipment Stand with Galvanized Undershef

#600ES2424G



Technical Data

Length	24 Inches
Width	24 Inches
Height	26 Inches
Work Surface Height	24 Inches
Backsplash	With Backsplash
Features	Customizable Height NSF Listed With Undershef
Gauge	16 Gauge
Leg Construction	Galvanized Steel

Features

- Features a 16-gauge stainless steel top
- Galvanized steel undershef and legs add durability
- 700 lb. top shelf weight capacity; 540 lb. undershef weight capacity
- 2" high edging contains equipment and supplies
- Great for increasing work space in commercial kitchens

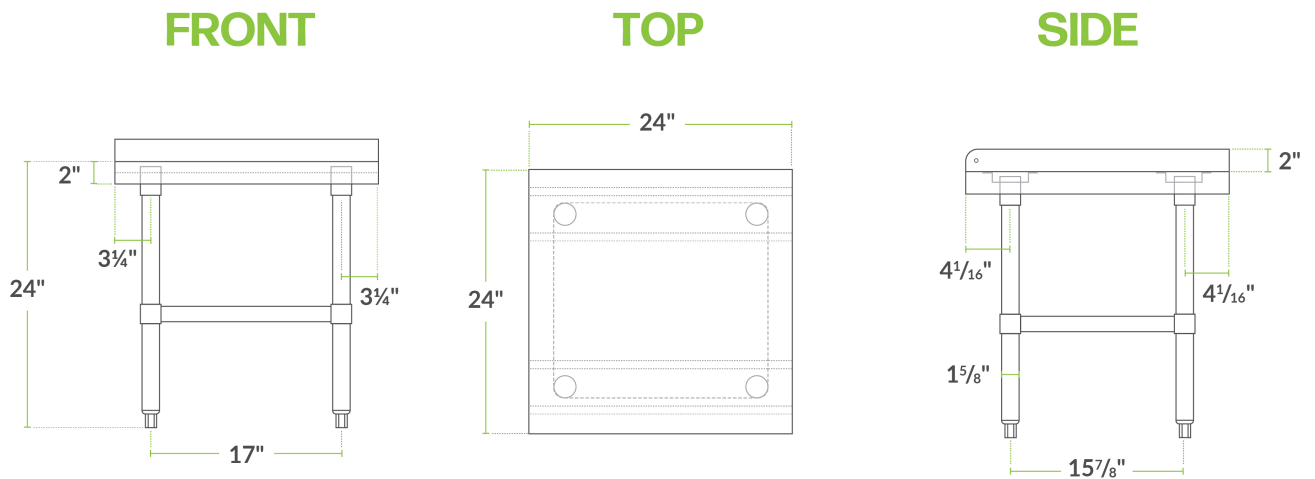
Certifications



Technical Data

Size	24" x 24"
Stainless Steel Type	Type 304
Table Style	Undershelf
Top Capacity	700 lb.
Top Material	Stainless Steel
Type	Equipment Stands
Undershelf Capacity	540 lb.
Undershelf Construction	Galvanized Steel
Usage	Standard Duty

Plan View



600ES2424G

Notes & Details

This Regency 24" x 24" stainless steel equipment stand is built to stand up to daily use in even the busiest commercial kitchens. Great for holding countertop equipment, this stand provides additional space in your kitchen to maintain a clean and organized environment. Featuring a durable 16 gauge stainless steel top that can support up to 700 lb. of evenly distributed weight, it's the perfect solution to increasing work space.

Plus, the galvanized steel undershelf with hat channel provides additional storage for supplies and can hold 540 lb. A 2" high edging comes standard to help contain equipment and contents for added safety. For added stability, this unit stands on sturdy galvanized steel legs with bullet feet.

⚠️ WARNING: This product can expose you to chemicals including lead, which are known to the State of California to cause cancer, birth defects, or other reproductive harm. For more information, go to www.p65warnings.ca.gov.