



Regency 30" x 96" 16 Gauge Type 304 Stainless Steel Enclosed Base Open Front Table with Adjustable Midshelf and 6" Backsplash

#600EBTB3096



Technical Data

| | |
|---------------------|-----------------|
| Length | 96 Inches |
| Width | 30 Inches |
| Height | 42 Inches |
| Backsplash Height | 6 Inches |
| Work Surface Height | 36 Inches |
| Backsplash | With Backsplash |
| Door Style | None |
| Features | NSF Listed |
| Gauge | 16 Gauge |
| Size | 30" x 96" |

Features

- Durable 18 gauge type 430 stainless steel body with 16 gauge type 304 stainless top
- Open front allows for quicker and easier access to supplies
- Adjustable/removable stainless steel midshelf maximizes storage capacity
- Large 30" x 96" worktop for plenty of working room
- A 6" backsplash prevents messes from getting onto the wall

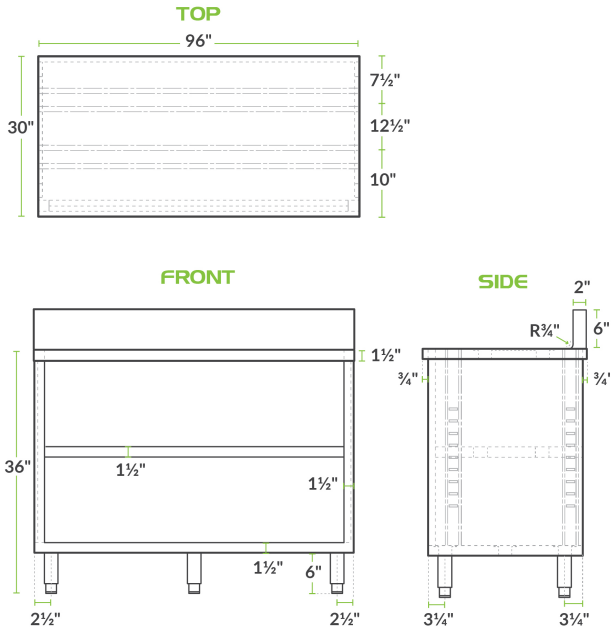
Certifications



Technical Data

| | |
|----------------------|-----------------|
| Stainless Steel Type | Type 304 |
| Table Style | Enclosed Base |
| Tabletop Material | Stainless Steel |
| Top Capacity | 970 lb. |

Plan View



Notes & Details

With both ample work space as well as storage space, this Regency 30" x 96" 16 gauge type 304 stainless steel enclosed base table will ensure your establishment is efficient and organized! A large 30" x 96" worktop will give you plenty of room to operate and is made of durable 16 gauge type 304 stainless steel. Plus, with a body made of 18 gauge type 430 stainless steel, this enclosed base table is made to hold up to the wear and tear of the busiest kitchens.

The adjustable/removable midshelf allows you to maximize the storage space and fit both large as well as small items. A 4" backsplash prevents any messes from getting onto the wall behind the unit, helping make cleanup easier. The open front design provides quick identification for quicker and easier access to supplies. Bullet style feet easily adjust up and down so that your base can be leveled on uneven surfaces.

⚠️ WARNING: This product can expose you to chemicals including lead, which are known to the State of California to cause cancer, birth defects, or other reproductive harm. For more information, go to www.p65warnings.ca.gov.