



## Regency 30" x 60" 16 Gauge Type 304 Stainless Steel Enclosed Base Sliding Door Table with Drawers and 6" Backsplash

#600EBTB3060R



### Technical Data

|                     |                              |
|---------------------|------------------------------|
| Length              | 60 Inches                    |
| Width               | 30 Inches                    |
| Height              | 42 Inches                    |
| Backsplash Height   | 6 Inches                     |
| Work Surface Height | 36 Inches                    |
| Backsplash          | With Backsplash              |
| Door Style          | Sliding                      |
| Features            | Locking Drawer<br>NSF Listed |
| Gauge               | 16 Gauge                     |

### Features

- Durable 16 gauge type 304 stainless steel top with 18 gauge type 430 stainless steel body
- Enclosed style body with lockable doors and drawers provides concealed storage
- Large 30" x 60" worktop for plenty of working room
- Two lockable sliding doors include recessed handles
- A 6" backsplash prevents messes from getting onto the wall

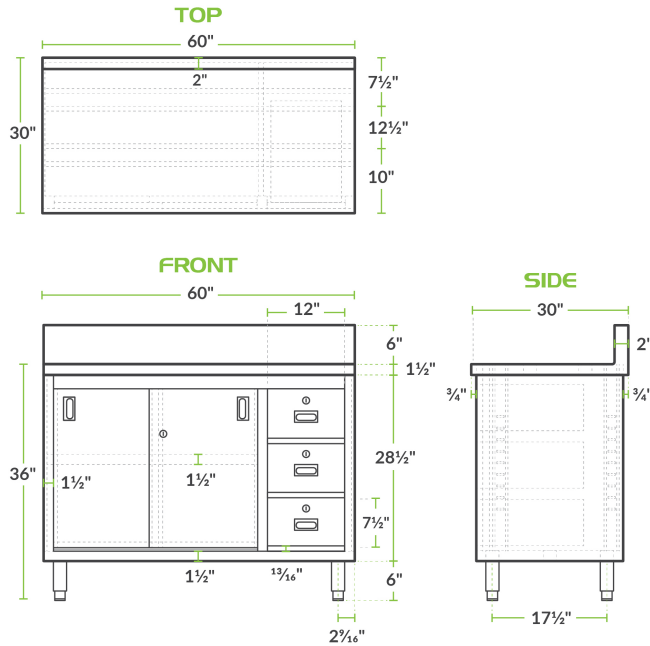
### Certifications



## Technical Data

|                      |                 |
|----------------------|-----------------|
| Number of Doors      | 2 Doors         |
| Size                 | 30" x 60"       |
| Stainless Steel Type | Type 304        |
| Table Style          | Enclosed Base   |
| Tabletop Material    | Stainless Steel |
| Top Capacity         | 600 lb.         |

## Plan View



## Notes & Details

With both ample work space as well as storage space, this Regency 30" x 60" 16 gauge type 304 stainless steel enclosed base table will ensure your establishment is efficient and organized! A large 30" x 60" worktop will give you plenty of room to operate and is made of durable 16 gauge type 304 stainless steel. The open front provides convenient access to the unit's storage compartment below the main work table, providing additional room for storing ingredients or small appliances as needed. The rigid and stable stainless steel midshelf creates two separate storage compartments and it is conveniently adjustable to accommodate your specific needs. With a body made of 18 gauge type 430 stainless steel, this base table is made to hold up to the wear and tear of the busiest kitchens.

The 3 built-in drawers allow you to maximize the storage space and fit both large as well as small items. A 6" backsplash prevents any messes from getting onto the wall behind the unit, helping make cleanup easier. The sliding doors fully conceal the base's contents and include recessed handles for minimal required front clearance. In order to keep your items secure, the sliding doors and each of the drawers come with built-in locks, as well as a set of keys. Bullet style feet easily adjust up and down so that your base can be leveled on uneven surfaces.

**WARNING:** This product can expose you to chemicals including lead, which are known to the State of California to cause cancer, birth defects, or other reproductive harm. For more information, go to [www.p65warnings.ca.gov](http://www.p65warnings.ca.gov).