



Regency 24" x 60" 16 Gauge Type 304 Stainless Steel Enclosed Base Sliding Door Table with Drawers and 6" Backsplash

#600EBTB2460R



Technical Data

Length	60 Inches
Width	24 Inches
Height	42 Inches
Backsplash Height	6 Inches
Work Surface Height	36 Inches
Backsplash	With Backsplash
Door Style	Sliding
Features	Locking Drawer NSF Listed
Gauge	16 Gauge

Features

- Durable 16 gauge type 304 stainless steel top with 18 gauge type 430 stainless steel body
- Enclosed style body with lockable doors and drawers provides concealed storage
- Large 24" x 60" worktop for plenty of working room
- Two lockable sliding doors include recessed handles
- A 6" backsplash prevents messes from getting onto the wall

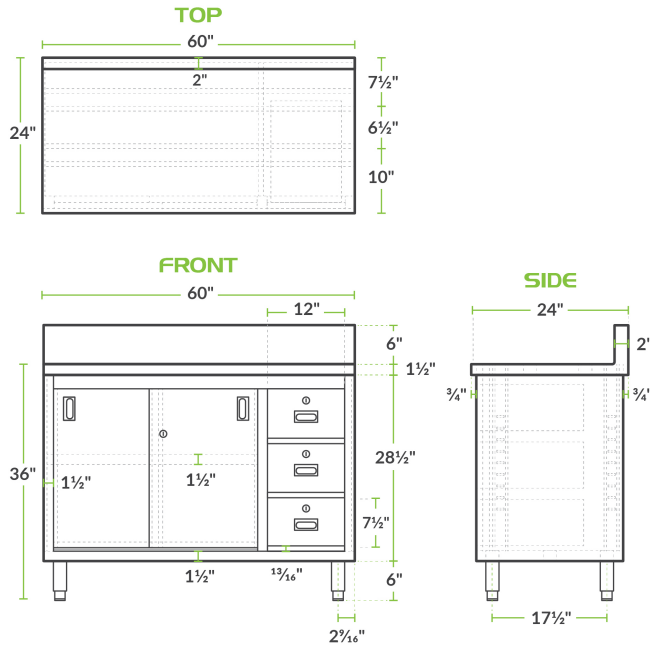
Certifications



Technical Data

Number of Doors	2 Doors
Size	24" x 60"
Stainless Steel Type	Type 304
Table Style	Enclosed Base
Tabletop Material	Stainless Steel
Top Capacity	550 lb.

Plan View



Notes & Details

With both ample work space as well as storage space, this Regency 24" x 60" 16 gauge type 304 stainless steel enclosed base table will ensure your establishment is efficient and organized! A large 24" x 60" worktop will give you plenty of room to operate and is made of durable 16 gauge type 304 stainless steel. The open front provides convenient access to the unit's storage compartment below the main work table, providing additional room for storing ingredients or small appliances as needed. The rigid and stable stainless steel midshelf creates two separate storage compartments and it is conveniently adjustable to accommodate your specific needs. With a body made of 18 gauge type 430 stainless steel, this base table is made to hold up to the wear and tear of the busiest kitchens.

The 3 built-in drawers allow you to maximize the storage space and fit both large as well as small items. A 6" backsplash prevents any messes from getting onto the wall behind the unit, helping make cleanup easier. The sliding doors fully conceal the base's contents and include recessed handles for minimal required front clearance. In order to keep your items secure, the sliding doors and each of the drawers come with built-in locks, as well as a set of keys. Bullet style feet easily adjust up and down so that your base can be leveled on uneven surfaces.

WARNING: This product can expose you to chemicals including lead, which are known to the State of California to cause cancer, birth defects, or other reproductive harm. For more information, go to www.p65warnings.ca.gov.