

REGENCY
Tables and Sinks

Regency Stainless Steel Double Deck Overshelf - 12" x 48" x 32"

#600DOS1248



Technical Data

Length	48 Inches
Width	12 Inches
Height	32 Inches
Adjustable Height	Adjustable
Capacity	380 lb.
Features	NSF Listed
Gauge	18 Gauge
Material	Stainless Steel
Mounting Style	Side Mounted
Stainless Steel Type	Type 430

Features

- Made of 18 gauge, type 430 stainless steel
- Double shelf design for added capacity and organization
- Top shelf holds up to 380 lb. of weight and bottom shelf holds up to 240 lb.
- Adjustable lower shelf
- Adds valuable storage space to your kitchen

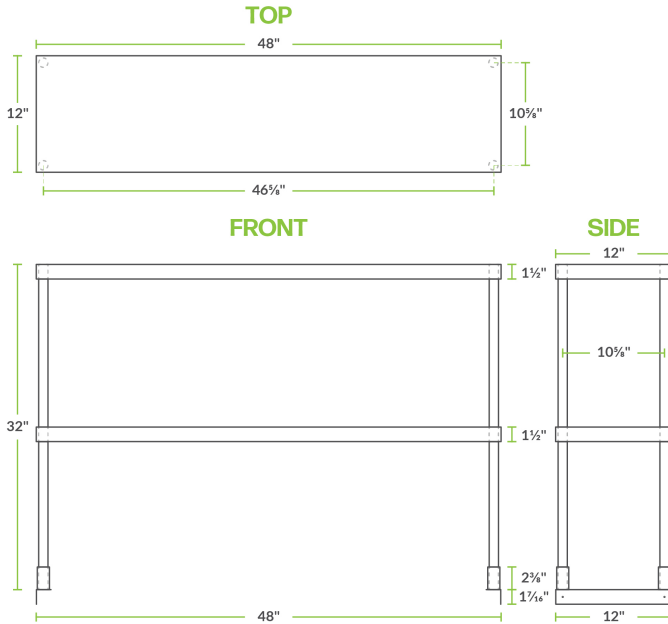
Certifications



Technical Data

Style	Double
Top Shelf Capacity	380 lb.
Type	Shelves
Undershelf Capacity	240 lb.

Plan View



Notes & Details

Add extra storage space to your kitchen with the Regency stainless steel double deck overshelf! This overshelf has two storage shelves to maximize the available space of your kitchen. Its stainless steel construction ensures long-lasting durability to stand up to repeated use, and the whole shelf easily mounts to the end of your table using the "L" bracket, 12 screws, and wrench provided. For added convenience, two additional set screws are included in this set.

The shelves are made of 18 gauge, type 430 stainless steel for excellent corrosion resistance and durability. The double shelf design adds more capacity than a single shelf and allows you to better organize your spices and seasoning, pans, cotton towels, oven mitts, and other frequently use cooking and preparation items. For great versatility, the top shelf holds up to 380 lb. of weight, and the bottom shelf holds up to 240 lb. This overshelf also ships knocked down to reduce the cost of shipping.

⚠ WARNING: This product can expose you to chemicals including lead, which are known to the State of California to cause cancer, birth defects, or other reproductive harm. For more information, go to www.p65warnings.ca.gov.