



Regency Stainless Steel Water Station with Ice Bin and Glass Filler - 18" x 21"

#600DIWIBF2118



Technical Data

Length	17 7/8 Inches
Width	21 1/8 Inches
Height	11 15/16 Inches
Ice Bin Length	13 1/2 Inches
Spout Length	3 7/8 Inches
Ice Bin Width	11 5/8 Inches
Faucet Height	10 Inches
Ice Bin Height	10 7/8 Inches
Capacity	50 lb.
Drain Outlet Size	1 Inch

Features

- 10 7/8" deep insulated ice bin with 50 lb. capacity
- Removable grate covers drip pan and ice bin cover
- Rubber thermal breaker reduces condensation
- 1" IPS brass drains for drip tray and ice bin
- Includes glass filler with 8" of clearance

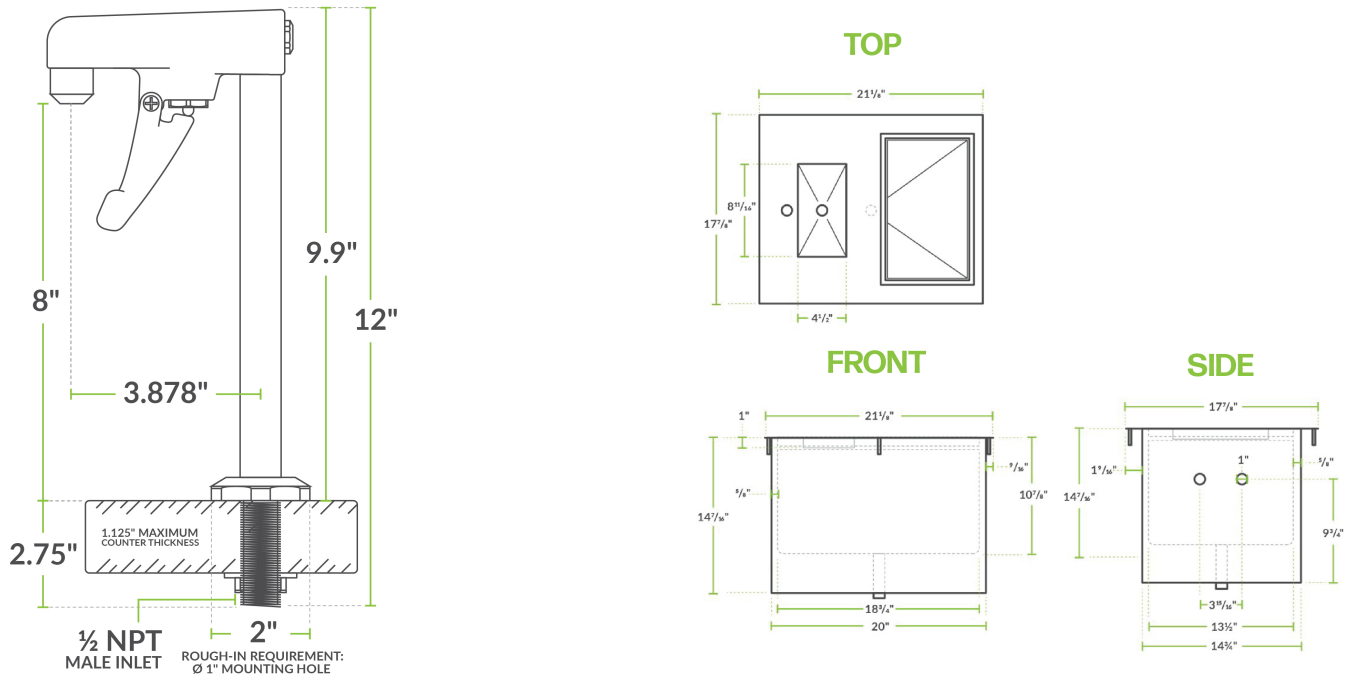
Certifications



Technical Data

Features	Glass Filler Lid Included
Installation Type	Drop In
Lid Type	Sliding
Material	Stainless Steel
Number of Faucets	1 Faucets
Spout Clearance	8 Inches
Style	Push Back
Type	Water Stations with Ice Bin
Water Inlet Size	1/2 Inches

Plan View



Notes & Details

Prepare drinks with increased efficiency and ease thanks to the Regency stainless steel drop-in water station. A 10 7/8" deep insulated ice bin features a 50 lb. capacity to accommodate busy restaurant beverage stations or bars, and an integrated rubber thermal breaker works to reduce condensation. A drip pan with a removable grate helps to contain spills and drips for a safer, cleaner environment.

This unit is designed for years of long-lasting use with the help of its all stainless steel construction. A sliding stainless steel ice bin cover is also included to prevent contaminants from coming into contact with your ice. Extruded black polyethylene molding with a thermal breaker marine edge adds extra durability. The unit has (2) 1" IPS brass drains, one each for the ice bin and the drip pan.

The included glass filler is the perfect solution when you need a dedicated area for filling cups with fresh, clean drinking water! An intuitive and familiar lever design makes it easy to use, too - just push the cup back against the lever and it will dispense from the nozzle. Providing 8" of clearance, it boasts plenty of room to accommodate all kinds of glassware, while its deck-mounted design and single hole base make it easy to install. It installs using a 1/2" NPT male inlet.

⚠ WARNING: This product can expose you to chemicals including lead, which are known to the State of California to cause cancer, birth defects, or other reproductive harm. For more information, go to www.p65warnings.ca.gov.