

REGENCY
Tables and Sinks

Regency Stainless Steel Water Station with Ice Bin - 21" x 17"

#600DIWIB1821



Technical Data

Length	21 1/8 Inches
Width	17 1/8 Inches
Height	11 15/16 Inches
Ice Bin Length	13 1/2 Inches
Ice Bin Width	8 1/8 Inches
Ice Bin Height	10 7/8 Inches
Capacity	23 lb.
Features	Lid Included NSF Listed
Installation Type	Drop In

Features

- 10 7/8" deep insulated ice bin with 23 lb. capacity
- Removable grate covers drip pan and ice bin cover
- Rubber thermal breaker reduces condensation
- 1" IPS brass drains for drip tray and ice bin
- Stainless steel Construction

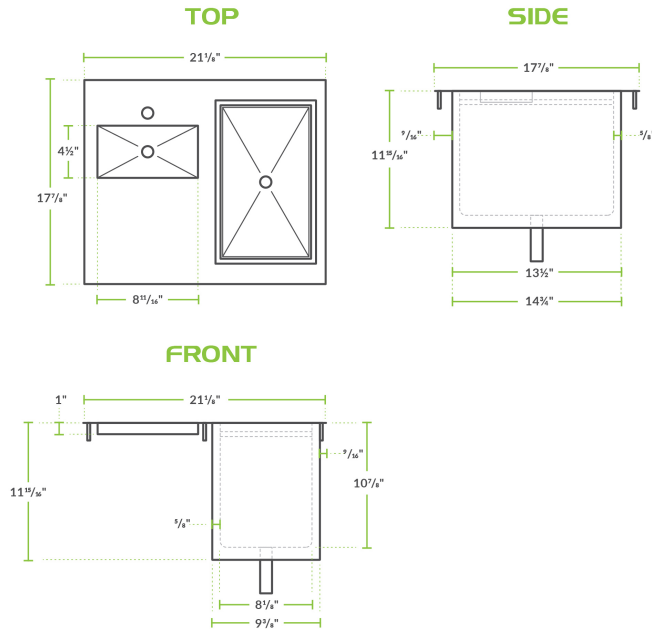
Certifications



Technical Data

Material	Stainless Steel
Style	Push Back
Type	Water Stations with Ice Bin

Plan View



600DIWIB1821

Notes & Details

Prepare drinks with increased efficiency and ease thanks to the Regency stainless steel drop-in water station. A 10 7/8" deep insulated ice bin features a 23 lb. capacity to accommodate busy restaurant beverage stations or bars, and an integrated rubber thermal breaker works to reduce condensation. A drip pan with a removable grate helps to contain spills and drips for a safer, cleaner environment.

This unit is designed for years of long-lasting use with the help of its all stainless steel construction. A sliding stainless steel ice bin cover is also included to prevent contaminants from coming into contact with your ice. Extruded black polyethylene molding with a thermal breaker marine edge adds extra durability. The unit has (2) 1" IPS brass drains, one each for the ice bin and the drip pan. Glass filler is sold separately.

⚠ WARNING: This product can expose you to chemicals including lead, which are known to the State of California to cause cancer, birth defects, or other reproductive harm. For more information, go to www.p65warnings.ca.gov.