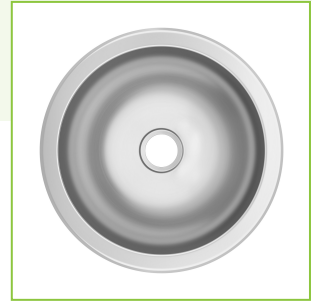




Regency 12" x 6" 20-Gauge Stainless Steel One Compartment Round Drop-in Sink

#600DIR126



Technical Data

Height	6 Inches
Diameter	12 Inches
Bowl Depth	6 Inches
Bowl Front to Back	12 Inches
Bowl Left to Right	12 Inches
Color	Silver
Drain Opening	2 Inches
Edge Style	Flush
Features	Massachusetts Accepted Plumbing Product NSF Listed

Features

- Seamless, contoured sink bowl with sleek satin finish
- Innovative self rim design allows flush mounting into any countertop
- 12" x 6" bowl size
- 20-gauge, type 304 stainless steel construction
- Includes stud mounting and mounting brackets for easy installation

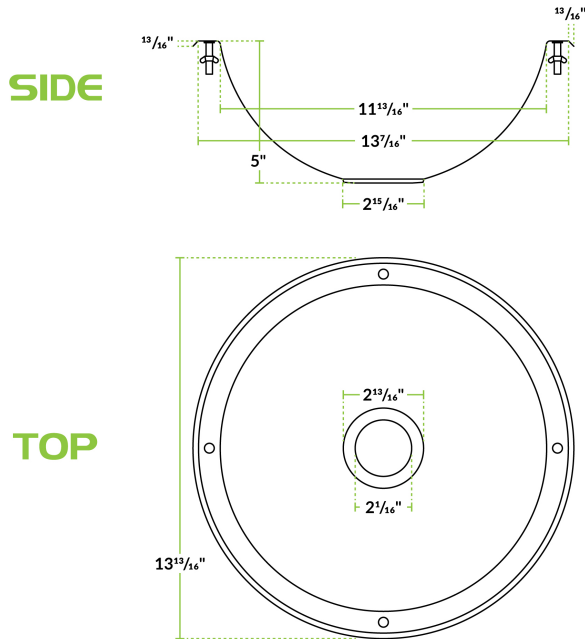
Certifications



Technical Data

Gauge	20 Gauge
Installation Type	Drop In
Material	Stainless Steel
Number of Compartments	1 Compartment
Stainless Steel Type	Type 304
Type	Drop-In Sinks

Plan View



Notes & Details

Equip your kitchen, prep area, or bar with this Regency 12" x 6" 20-gauge round stainless steel one compartment drop-in sink. This sleek, seamless sink features a drop-in design that fits down through the top of your counter. It has an innovative self rim design along the top to provide a professional appearance once it's installed in any countertop.

Designed for durability, corrosion resistance, and sanitation, this sink's bowl is made of seamless deep drawn 20-gauge, type 304 stainless steel. Plus, the 2" drain opening is ready for installation so you can get your new sink up and running. Stud mounting and mounting brackets are included for easy installation.

WARNING: This product can expose you to chemicals including lead, which are known to the State of California to cause cancer, birth defects, or other reproductive harm. For more information, go to www.p65warnings.ca.gov.