

REGENCY
Tables and Sinks

Regency 18" x 36" Stainless Steel Drop-In Ice Bin

#600DIIB1836



Technical Data

Length	36 Inches
Width	18 Inches
Height	11 15/16 Inches
Cutout Length	35 1/4 Inches
Ice Bin Length	32 1/8 Inches
Cutout Width	17 1/4 Inches
Ice Bin Width	13 1/2 Inches
Ice Bin Depth	10 7/8 Inches
Capacity	80 lb.
Installation Type	Drop In

Features

- Made of 20 gauge, 304 stainless steel
- 1" NPT stainless steel drain
- Requires a 35 1/4" x 17 1/4" cutout
- Stainless steel sliding lid included
- Perfect for storing ice conveniently close at hand

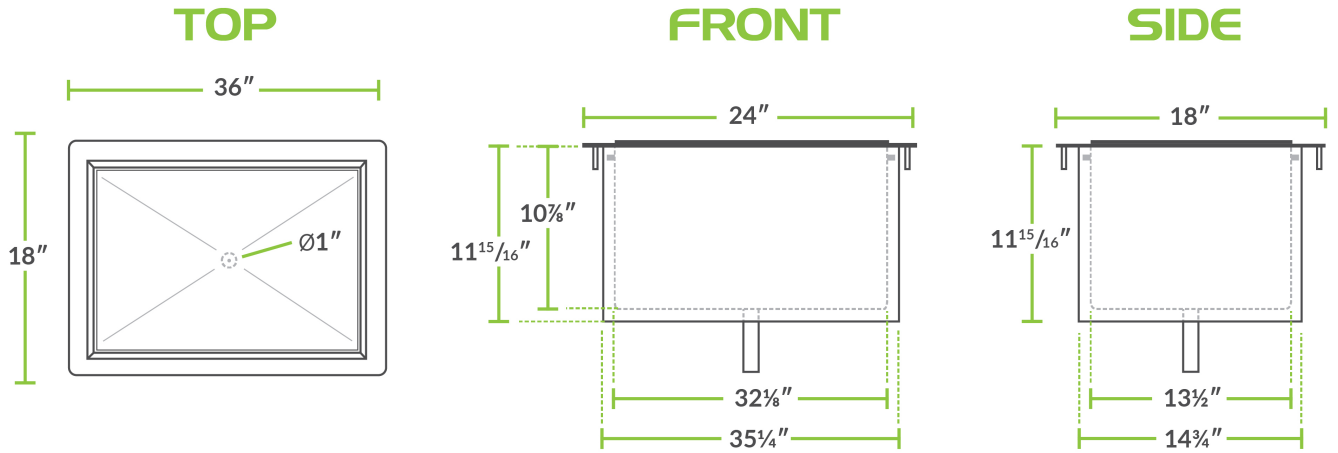
Certifications



Technical Data

Features	Lid Included NSF Listed
Material	Stainless Steel
Type	Drop In Ice Bins Without Cold Plate

Plan View



Notes & Details

Keep your ice insulated and easily accessible with the Regency 18" x 36" stainless steel drop-in ice bin. With a 10" deep cavity, this chest can accommodate drink-serving operations of nearly any size. The whole unit has dense foamed-in-place insulation, ensuring your ice stays cool for extended periods of time.

20 gauge type 304 stainless steel construction adds extended durability, while a 1" centered stainless steel drain siphons away melted ice. A stainless steel sliding cover is included to ensure proper insulation and protect the ice from contamination. This unit requires a $32\frac{1}{2}"$ long x $13\frac{1}{2}"$ wide x 10" deep cutout.

⚠ WARNING: This product can expose you to chemicals including Lead and Nickel, which are known to the State of California to cause cancer, birth defects, or other reproductive harm. For more information, go to www.p65warnings.ca.gov.