

**REGENCY**  
Tables and Sinks

## Regency 18" x 30" Stainless Steel Drop-In Ice Bin

#600DIIB1830



### Technical Data

Length	30 Inches
Width	18 Inches
Height	11 15/16 Inches
Cutout Length	29 1/4 Inches
Ice Bin Length	26 1/8 Inches
Cutout Width	17 1/4 Inches
Ice Bin Width	13 1/2 Inches
Ice Bin Depth	10 7/8 Inches
Capacity	65 lb.
Installation Type	Drop In

### Features

- Made of 20 gauge, 304 stainless steel
- 1" NPT stainless steel drain
- Requires a 29 1/4" x 17 1/4" cutout
- Stainless steel sliding lid included
- Perfect for storing ice conveniently close at hand

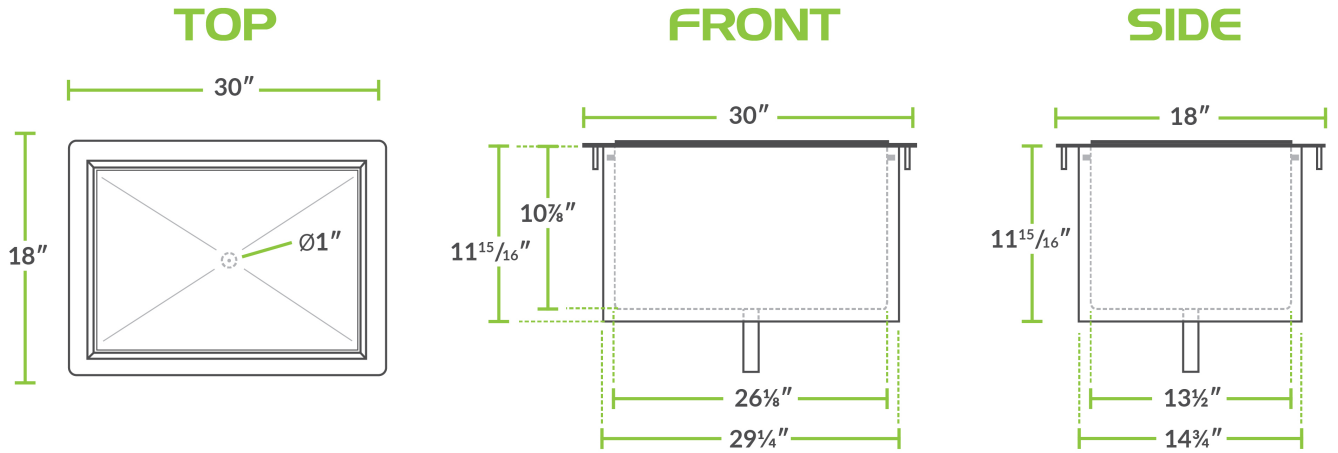
### Certifications



## Technical Data

Features	Lid Included NSF Listed
Material	Stainless Steel
Type	Drop In Ice Bins Without Cold Plate

## Plan View



## Notes & Details

Keep your ice insulated and easily accessible with the Regency 18" x 30" stainless steel drop-in ice bin. With a 10" deep cavity, this chest can accommodate drink-serving operations of nearly any size. The whole unit has dense foamed-in-place insulation, ensuring your ice stays cool for extended periods of time.

20 gauge type 304 stainless steel construction adds extended durability, while a 1" centered stainless steel drain siphons away melted ice. A stainless steel sliding cover is included to ensure proper insulation and protect the ice from contamination.

**⚠ WARNING:** This product can expose you to chemicals including Lead and Nickel, which are known to the State of California to cause cancer, birth defects, or other reproductive harm. For more information, go to [www.p65warnings.ca.gov](http://www.p65warnings.ca.gov).