



Regency 18" x 24" Stainless Steel Drop-In Ice Bin

#600DIIB1824



Technical Data

| | |
|-------------------|-----------------|
| Length | 24 Inches |
| Width | 18 Inches |
| Height | 11 15/16 Inches |
| Cutout Length | 23 1/4 Inches |
| Ice Bin Length | 20 1/8 Inches |
| Cutout Width | 17 1/4 Inches |
| Ice Bin Width | 13 1/2 Inches |
| Ice Bin Depth | 10 7/8 Inches |
| Capacity | 50 lb. |
| Installation Type | Drop In |

Features

- Made of 20 gauge, 304 stainless steel
- 1" NPT stainless steel drain
- Requires a 23 1/4" x 17 1/4" cutout
- Stainless steel sliding lid included
- Perfect for storing ice conveniently close at hand

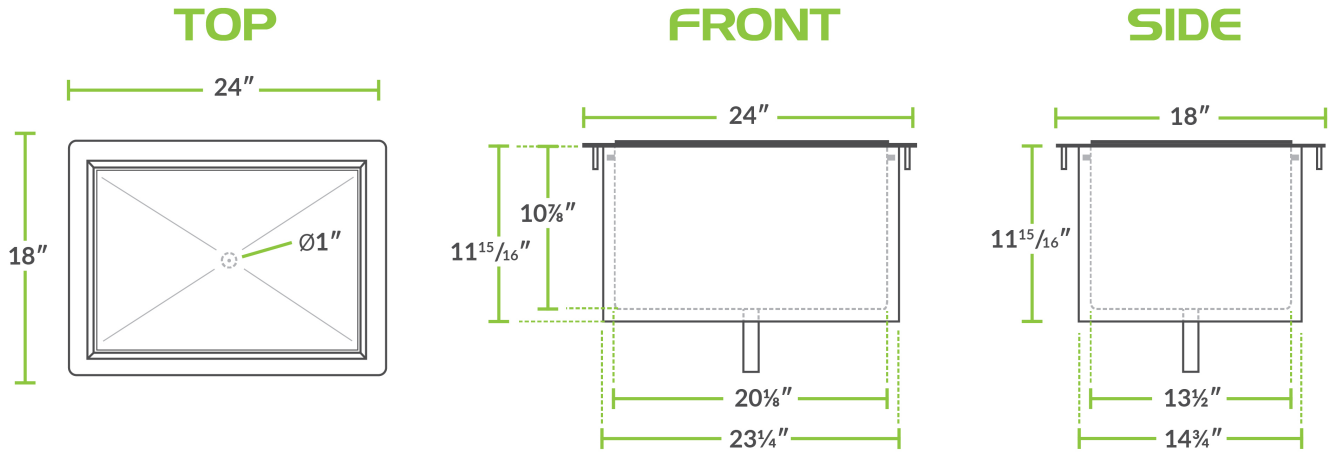
Certifications



Technical Data

| | |
|----------|-------------------------------------|
| Features | Lid Included NSF Listed |
| Material | Stainless Steel |
| Type | Drop In Ice Bins Without Cold Plate |

Plan View



Notes & Details

Keep your ice insulated and easily accessible with the Regency 18" x 24" stainless steel drop-in ice bin. With a 10" deep cavity, this chest can accommodate drink-serving operations of nearly any size. The whole unit has dense foamed-in-place insulation, ensuring your ice stays cool for extended periods of time.

20 gauge type 304 stainless steel construction adds extended durability, while a 1" centered stainless steel drain siphons away melted ice. A stainless steel sliding cover is included to ensure proper insulation and protect the ice from contamination.

WARNING: This product can expose you to chemicals including Lead and Nickel, which are known to the State of California to cause cancer, birth defects, or other reproductive harm. For more information, go to www.p65warnings.ca.gov.