



Regency 10" x 14" x 10" 16-Gauge Stainless Steel Three Compartment Drop-In Sink

#600DI3101410



Technical Data

Length	37 Inches
Width	19 Inches
Height	10 Inches
Cutout Length	36 Inches
Cutout Width	18 Inches
Bowl Depth	10 Inches
Basket Drain Size	3 1/2 Inches
Bowl Front to Back	14 Inches
Bowl Left to Right	10 Inches
Color	Silver

Features

- Durable, 16 gauge type 304 stainless steel construction
- 3 1/2" basket strainers collect food debris; includes 1 1/2" IPS drain connections
- Raised marine edge helps prevent water from dripping onto the floor
- Comes with installation hardware
- Great for washing, rinsing, and sanitizing

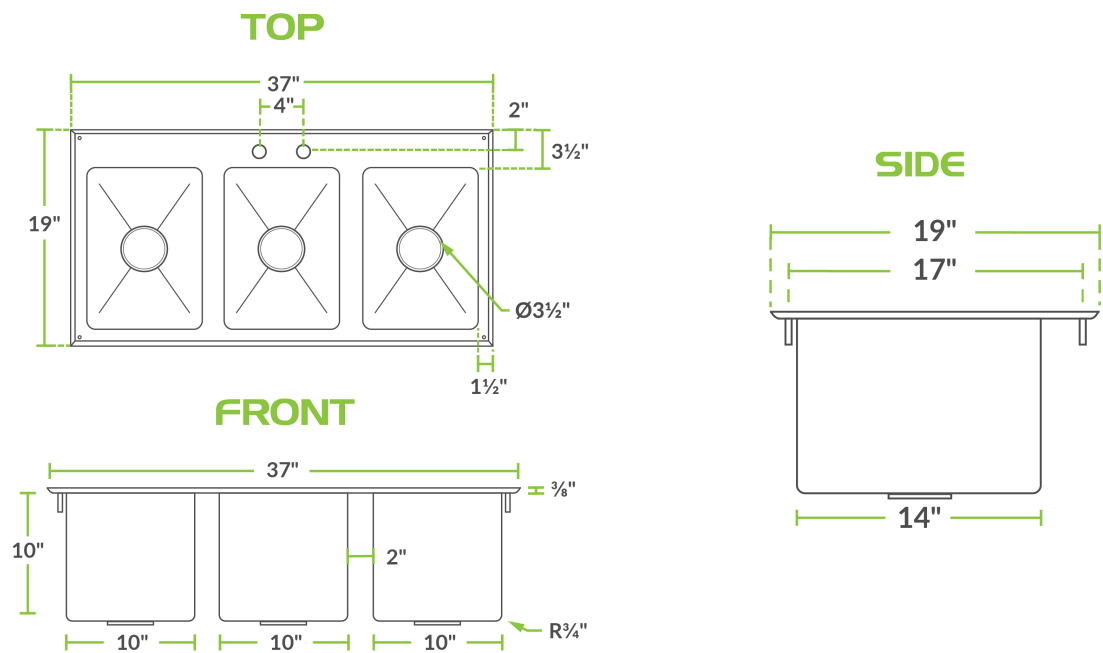
Certifications



Technical Data

Drain Outlet Size	1 1/2 Inches
Edge Style	Marine
Faucet Centers	4 Inches
Features	Massachusetts Accepted Plumbing Product NSF Listed
Gauge	16 Gauge
Installation Type	Drop In
Material	Stainless Steel
Number of Compartments	3 Compartments
Stainless Steel Type	Type 304
Type	Drop-In Sinks

Plan View



Notes & Details

Great for washing, rinsing, and sanitizing, this Regency 3 compartment 10" x 14" x 10" stainless steel drop-in sink is a versatile addition to your food service operation. This three compartment unit is made up of durable 16-gauge, 304 series stainless steel that is built to last. Plus, it comes with (3) 3 1/2" drain baskets to conveniently catch food debris to prevent clogging the drain.

The sink comes complete with 2 holes on 4" centers. The compact compartments make this sink ideal for small spaces like concession stands and snack bars. With both hot and cold water capabilities, this drop-in sink is a practical solution in a variety of settings.

⚠ WARNING: This product can expose you to chemicals including Lead and Nickel, which are known to the State of California to cause cancer, birth defects, or other reproductive harm. For more information, go to www.p65warnings.ca.gov.