



Regency 10" x 14" x 10" 16-Gauge Stainless Steel Two Compartment Drop-In Sink

#600DI21014



Technical Data

Length	19 Inches
Width	25 Inches
Height	10 Inches
Cutout Length	24 Inches
Cutout Width	18 Inches
Bowl Depth	10 Inches
Basket Drain Size	3 1/2 Inches
Bowl Front to Back	14 Inches
Bowl Left to Right	10 Inches
Color	Silver

Features

- Comes with installation hardware
- Durable, 16 gauge type 304 stainless steel construction
- 3 1/2" basket strainers collect food debris
- Raised marine edge helps prevent water from dripping onto the floor
- Includes 1 1/2" IPS drain connections

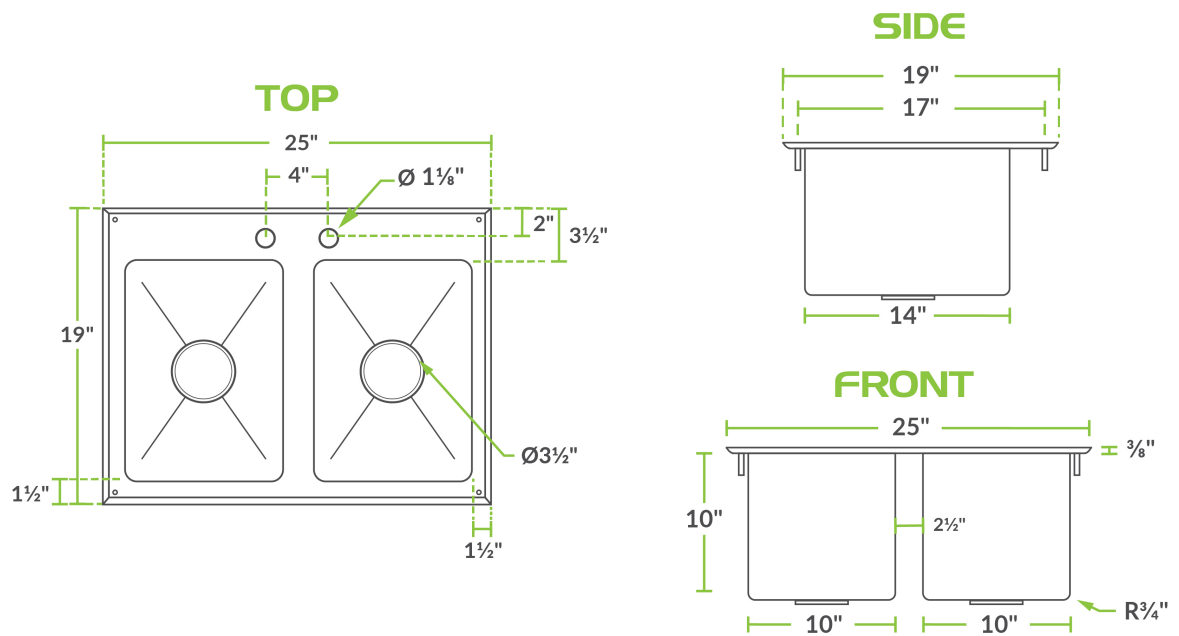
Certifications



Technical Data

Drain Outlet Size	1 1/2 Inches
Edge Style	Marine
Faucet Centers	4 Inches
Features	Massachusetts Accepted Plumbing Product NSF Listed
Gauge	16 Gauge
Installation Type	Drop In
Material	Stainless Steel
Number of Compartments	2 Compartments
Stainless Steel Type	Type 304
Type	Drop-In Sinks

Plan View



Notes & Details

Great for washing, rinsing, and sanitizing, this Regency 2 compartment 10" x 14" x 10" stainless steel drop-in sink is a versatile addition to your food service operation. Featuring a durable 16 gauge, 304 series stainless steel top with polished 18-gauge 304 series stainless steel bowls, this sink is built to last. Plus, it comes with (2) 3 1/2" drain basket to conveniently catch food debris to prevent clogging of the drain.

The compact compartments make this sink ideal for small spaces like concession stands and snack bars. With both hot and cold water capabilities, this drop-in sink is a practical solution in a variety of settings.

⚠ WARNING: This product can expose you to chemicals including Lead and Nickel, which are known to the State of California to cause cancer, birth defects, or other reproductive harm. For more information, go to www.p65warnings.ca.gov.