



Regency 9" x 9" x 5" 18-Gauge Stainless Steel One Compartment Drop-In Sink

#600DI1995



Technical Data

Length	12 Inches
Width	14 Inches
Height	5 Inches
Cutout Length	11 1/4 Inches
Cutout Width	13 1/4 Inches
Bowl Depth	5 Inches
Basket Drain Size	3 1/2 Inches
Bowl Front to Back	9 Inches
Bowl Left to Right	9 Inches
Color	Silver

Features

- Durable, 18 gauge type 304 stainless steel construction
- 3 1/2" basket strainers collect food debris; includes 1 1/2" IPS drain connections
- Perfect for handwashing throughout the day
- Comes with installation hardware

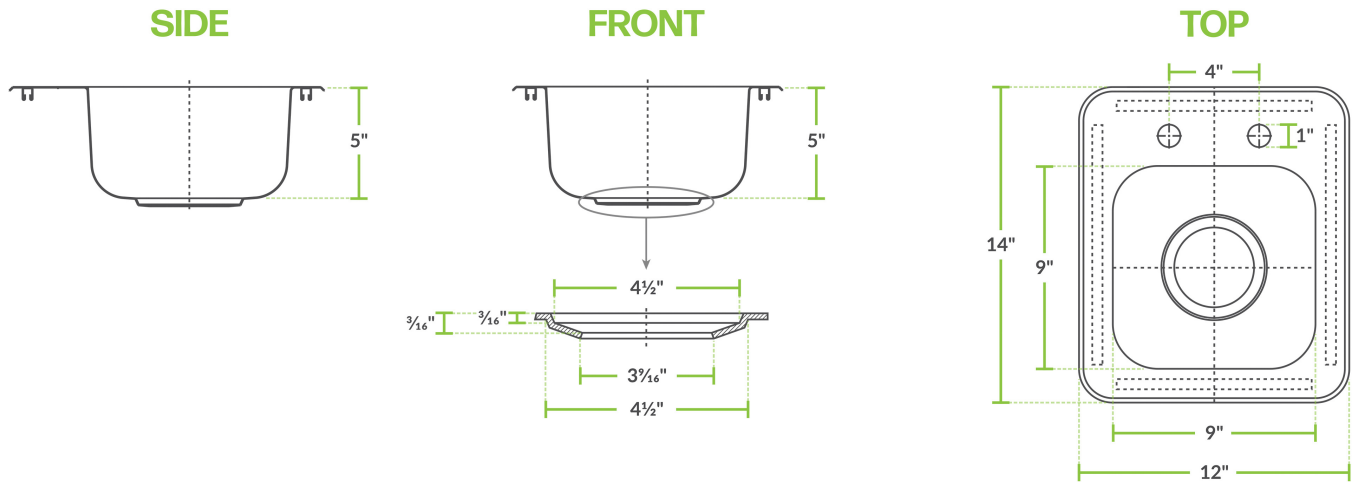
Certifications



Technical Data

Drain Outlet Size	1 1/2 Inches
Edge Style	Flush
Faucet Centers	4 Inches
Features	Massachusetts Accepted Plumbing Product NSF Listed
Flow Rate	2 GPM
Gauge	18 Gauge
Installation Type	Drop In
Material	Stainless Steel
Number of Compartments	1 Compartment
Stainless Steel Type	Type 304
Type	Drop-In Sinks

Plan View



Notes & Details

Great for hand washing, this Regency 9" x 9" x 5" stainless steel drop-in sink is a versatile addition to your food service operation. Featuring a durable 18 gauge, 304 series stainless steel top with a polished 18-gauge 304 series stainless steel bowl, this sink is built to last. Plus, it comes with a 3 1/2" drain basket to conveniently catch food debris to prevent clogging the drain.

It comes with 2 holes on 4" centers to accept a faucet (sold separately) and the hardware for installation is included. The compact compartment makes this sink ideal for small spaces like food trucks, concession stands, and snack bars. The raised marine edge helps prevent water from dripping onto the floor. With both hot and cold water capabilities, this drop-in sink is a practical solution in a variety of settings.

⚠️ WARNING: This product can expose you to chemicals including Lead and Nickel, which are known to the State of California to cause cancer, birth defects, or other reproductive harm. For more information, go to www.p65warnings.ca.gov.