



Regency 10" x 14" x 5" 16-Gauge Stainless Steel One Compartment Drop-In Sink

#600DI110145



Technical Data

Length	13 Inches
Width	19 Inches
Height	5 Inches
Cutout Length	11 15/16 Inches
Cutout Width	18 Inches
Bowl Depth	5 Inches
Bowl Front to Back	14 Inches
Bowl Left to Right	10 Inches
Color	Silver
Edge Style	Marine

Features

- Durable, stainless steel construction
- 3 1/2" basket strainer collects food debris
- Includes 1 1/2" IPS drain connection
- Comes with installation hardware
- Great for hand washing

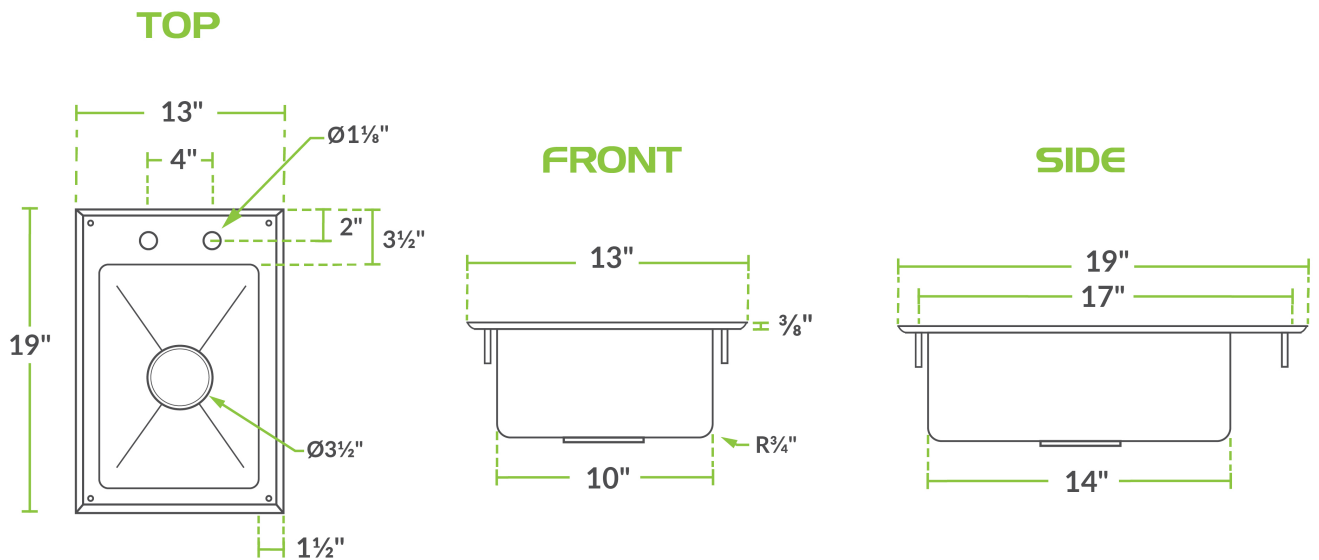
Certifications



Technical Data

Faucet Centers	4 Inches
Features	Massachusetts Accepted Plumbing Product NSF Listed
Gauge	16 Gauge
Installation Type	Drop In
Material	Stainless Steel
Number of Compartments	1 Compartment
Stainless Steel Type	Type 304
Type	Drop-In Sinks

Plan View



Notes & Details

Great for hand washing, this Regency 10" x 14" x 5" stainless steel drop-in sink is a versatile addition to your food service operation. This unit is made up of durable 16-gauge, 304 series stainless steel that is built to last. Plus, it comes with a 3 1/2" drain basket to conveniently catch food debris to prevent clogging the drain.

This sink comes complete with 2 holes on 4" centers. The compact compartment makes this sink ideal for small spaces like food trucks, concession stands, and snack bars. With both hot and cold water capabilities, this drop-in sink is a practical solution in a variety of settings.

⚠ WARNING: This product can expose you to chemicals including Lead and Nickel, which are known to the State of California to cause cancer, birth defects, or other reproductive harm. For more information, go to www.p65warnings.ca.gov.