

REGENCY
Tables and Sinks

Regency 16-Gauge 9' Soiled / Dirty Dish Table with 3-Compartment Sink - 20" x 20" x 12" Bowls - Left Drainboard

#600DDTS108L



Technical Data

Length	108 Inches
Width	30 Inches
Height	44 3/4 Inches
Drainboard Length	27 Inches
Bowl Depth	12 Inches
Backsplash Height	10 3/4 Inches
Work Surface Height	34 3/4 Inches
Backsplash	With Backsplash
Basket Drain Size	3 1/2 Inches
Bowl Front to Back	20 Inches

Features

- Ideal for restaurant and hotel dishwashing stations
- 16-gauge type 304 stainless steel construction
- Lip attaches to dishwasher (sold separately)
- 10 3/4" high backsplash and a 2" return for drainage
- Durable bullet feet

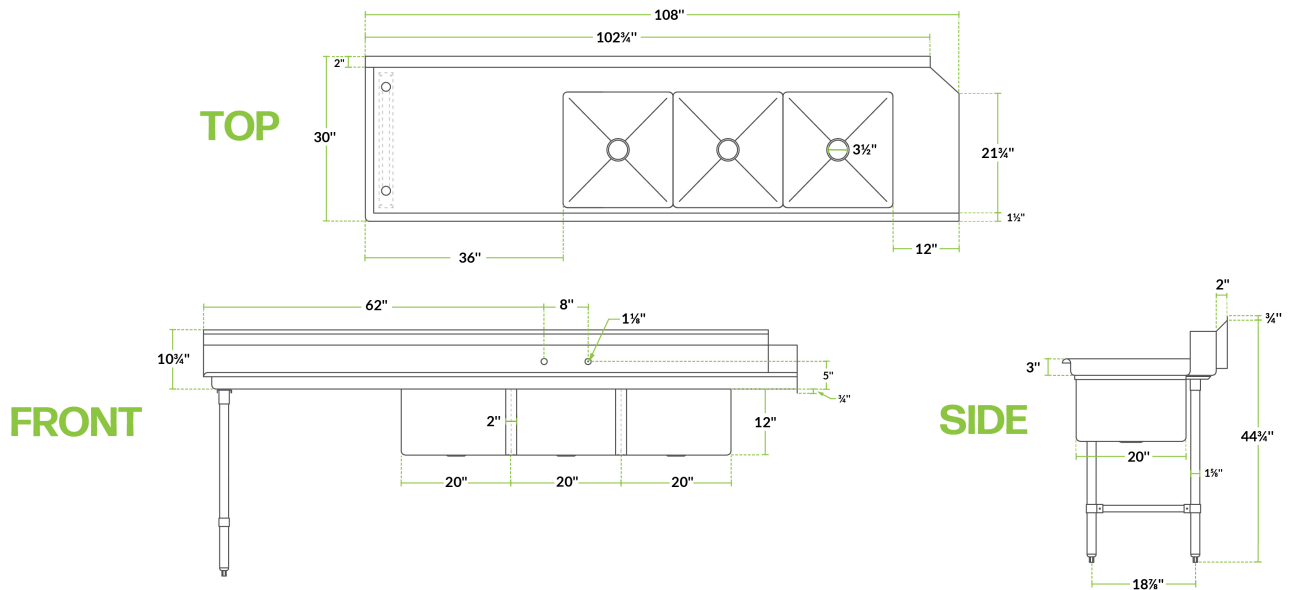
Certifications



Technical Data

Bowl Left to Right	20 Inches
Drain Outlet Size	2 Inches
Drainboard Location	Left Drainboard
Faucet Centers	8 Inches
Features	NSF Listed With Sink
Gauge	16 Gauge
Installation Type	Left Side
Leg Construction	Stainless Steel
Material	Stainless Steel
Number of Compartments	3 Compartments
Number of Drainboards	1 Drainboard
Stainless Steel Type	Type 304
Style	1 Drainboard Straight
Type	Dirty / Soiled Dishtables Straight / Line Sinks

Plan View



600DDTS108L

Notes & Details

This three compartment sink from Regency brings an incredible combination of performance, quality, and convenience that is sure to boost efficiency in your kitchen! This commercial sink / dishtable is made of 16-gauge type 304 stainless steel, making it a durable, corrosion-resistant package that is sure to last over the long haul. The left 27" drainboard boasts plenty of space to accommodate dishes and utensils or a dish rack going into your dishwasher, providing a convenient resting place until they're ready to load.

This sink features three 20" x 20" x 12" bowls for washing, rinsing, and sanitizing dishes, utensils, and cookware, making it an essential addition to restaurants, cafeterias, and other food service establishments. Plus, each bowl includes a 3 1/2" basket strainer to catch food debris, which prevents the drain from clogging. The holes punched on 8" centers allow for easy installation of a faucet (sold separately). A surrounding lip helps contain dishes and spills to prevent messes.

Perfect for use in restaurant and hotel dishwashing stations, this unit has an angled lip on one side that attaches to your dishwasher (sold separately) for a convenient setup that makes it easier to clean your dinnerware and cookware. The table features a 10 3/4" high backsplash to protect your walls and floors, along with a 2" return for drainage. Plus, its 1 5/8" diameter stainless steel legs and durable bullet feet protect your floors from scratches and keep your table stable. Ensure fast, efficient dish room operations with this comprehensive dishtable package!

 **WARNING:** This product can expose you to chemicals including lead, which are known to the State of California to cause cancer, birth defects, or other reproductive harm. For more information, go to www.p65warnings.ca.gov.