

**REGENCY™**  
Tables and Sinks

**Regency 18" x 26" Stainless Steel Blender Station with Dump Sink and Faucet**

#600BSD261844G



**Technical Data**

|                     |                 |
|---------------------|-----------------|
| Length              | 18 Inches       |
| Width               | 26 Inches       |
| Height              | 33 Inches       |
| Spout Length        | 6 Inches        |
| Bowl Depth          | 4 Inches        |
| Backsplash Height   | 3 Inches        |
| Faucet Height       | 4 13/16 Inches  |
| Work Surface Height | 30 Inches       |
| Backsplash          | With Backsplash |
| Bowl Front to Back  | 9 Inches        |

**Features**

- 18 gauge, 304 stainless steel base and chrome-plated brass faucet
- Features 6" swing spout, 2 GPM aerator, 4" centers, and 1/2" NPS inlets
- Recessed blender shelf with side splashes and a 1 1/2" grommet hole for blender power cords
- 9" x 9" x 4" sink bowl with a 1" IPS drain and 3" backsplash
- Galvanized legs with stainless steel gussets and plastic bullet feet

**Certifications**



NSF Listed



NSF/ANSI 61 & 372



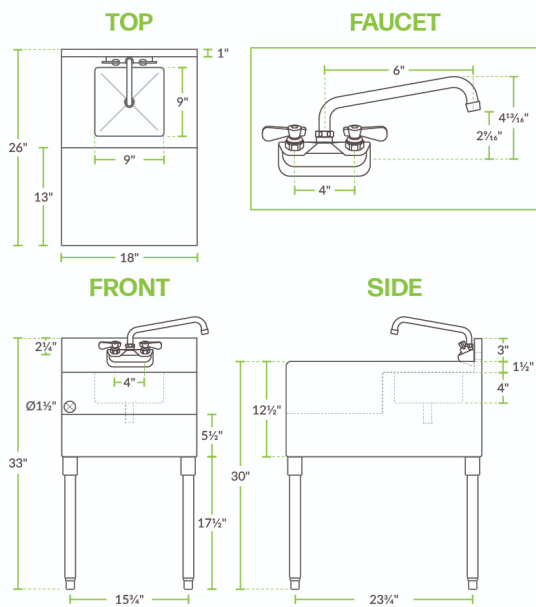
1/2"

1/2" Water Connection

## Technical Data

|                      |                                     |
|----------------------|-------------------------------------|
| Bowl Left to Right   | 9 Inches                            |
| Faucet Centers       | 4 Inches                            |
| Flow Rate            | 2 GPM                               |
| Gauge                | 18 Gauge                            |
| Leg Construction     | Galvanized Steel                    |
| Material             | Stainless Steel                     |
| Spout Type           | Swing                               |
| Stainless Steel Type | Type 304                            |
| Type                 | Blender Stations Without Cold Plate |
| Water Inlet Size     | 1/2 Inches                          |

## Plan View



## Notes & Details

Enhance staff efficiency and productivity when preparing specialty drinks with the Regency 18" x 26" stainless steel blender station with dump sink and faucet. This unit combines a recessed step, a 9" x 9" x 4" dump sink, and a faucet with an 6" swing spout for unparalleled convenience. The stainless steel step features a 1 1/2" grommet hole for blender power cords. It also exhibits a 3" backsplash that protects nearby walls and floors, minimizing messes. Additionally, its 1" IPS drain makes it easy to dispose of old beverages. This station has everything you need to facilitate blending drinks, dumping liquids, and rinsing drinkware.

The faucet boasts a lever handle design that makes it easy to control the flow and temperature of the water, reaching a maximum heat of 140 degrees Fahrenheit. Water exits the faucet through a 2 GPM aerator, which creates a soft flow pattern with minimal splashing. The faucet is secured on the standing base via a pair of 4" centers, and it connects to the facility water lines with a set of 1/2" NPT inlets. The faucet body is made from chrome-plated brass that complements the station's stainless steel blender shelf, sink, and leg gussets. The unit's galvanized steel legs have plastic bullet feet that will preserve your floors. This blender station is a must-have for any bar, restaurant, or smoothie shop!

**⚠️ WARNING:** This product can expose you to chemicals including lead, which are known to the State of California to cause cancer, birth defects, or other reproductive harm. For more information, go to [www.p65warnings.ca.gov](http://www.p65warnings.ca.gov).