

REGENCY
Tables and Sinks

Regency 18" x 23" Stainless Steel Blender Station with Dump Sink and Faucet

#600BSD231846G



Technical Data

Length	18 Inches
Width	23 Inches
Height	33 Inches
Spout Length	6 Inches
Bowl Depth	4 Inches
Backsplash Height	3 Inches
Faucet Height	4 13/16 Inches
Work Surface Height	30 Inches
Backsplash	With Backsplash
Bowl Front to Back	9 Inches

Features

- 18 gauge, 304 stainless steel base and chrome-plated brass faucet
- Features 6" swing spout, 2 GPM aerator, 4" centers, and 1/2" NPS inlets
- Recessed blender shelf with side splashes and a 1 1/2" grommet hole for blender power cords
- 9" x 9" x 4" sink bowl with a 1" IPS drain and 3" backsplash
- Galvanized legs with stainless steel gussets and plastic bullet feet

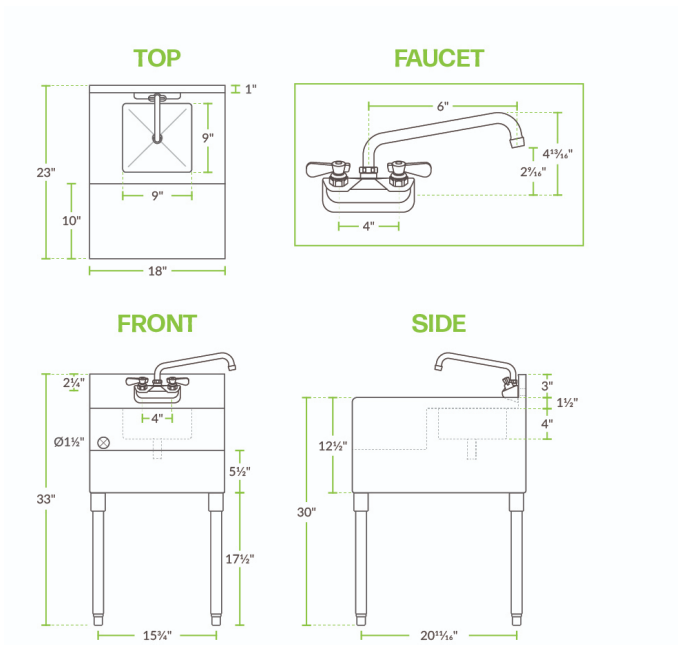
Certifications

 NSF Listed
  NSF/ANSI 61 & 372
  1/2" Water Connection

Technical Data

Bowl Left to Right	9 Inches
Faucet Centers	4 Inches
Flow Rate	2 GPM
Gauge	18 Gauge
Leg Construction	Galvanized Steel
Material	Stainless Steel
Spout Type	Swing
Stainless Steel Type	Type 304
Type	Blender Stations Without Cold Plate
Water Inlet Size	1/2 Inches

Plan View



Notes & Details

Enhance staff efficiency and productivity when preparing specialty drinks with the Regency 18" x 23" stainless steel blender station with dump sink and faucet. This unit combines a recessed step, a 9" x 9" x 4" dump sink, and a faucet with an 6" swing spout for unparalleled convenience. The stainless steel step features a 1 1/2" grommet hole for blender power cords. It also exhibits a 3" backsplash that protects nearby walls and floors, minimizing messes. Additionally, its 1" IPS drain makes it easy to dispose of old beverages. This station has everything you need to facilitate blending drinks, dumping liquids, and rinsing drinkware.

The faucet boasts a lever handle design that makes it easy to control the flow and temperature of the water, reaching a maximum heat of 140 degrees Fahrenheit. Water exits the faucet through a 2 GPM aerator, which creates a soft flow pattern with minimal splashing. The faucet is secured on the standing base via a pair of 4" centers, and it connects to the facility water lines with a set of 1/2" NPT inlets. The faucet body is made from chrome-plated brass that complements the station's stainless steel blender shelf, sink, and leg gussets. The unit's galvanized steel legs have plastic bullet feet that will preserve your floors. This blender station is a must-have for any bar, restaurant, or smoothie shop!

WARNING: This product can expose you to chemicals including lead, which are known to the State of California to cause cancer, birth defects, or other reproductive harm. For more information, go to www.p65warnings.ca.gov.