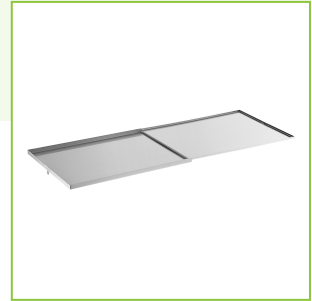




Regency 60" Beer Box Sliding Lid with Padlock and 2 Keys

#600BBSC2259



Technical Data

Length	60 Inches
Width	24 Inches
Color	Silver
Features	NSF Listed
Material	Stainless Steel
Type	Ice Bin Covers

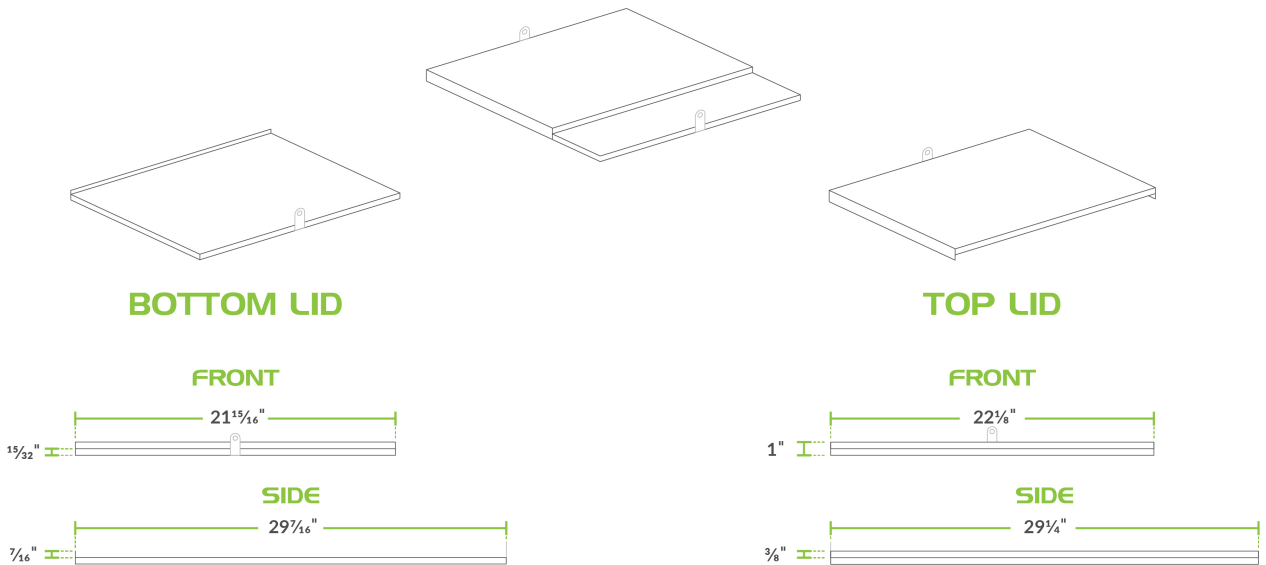
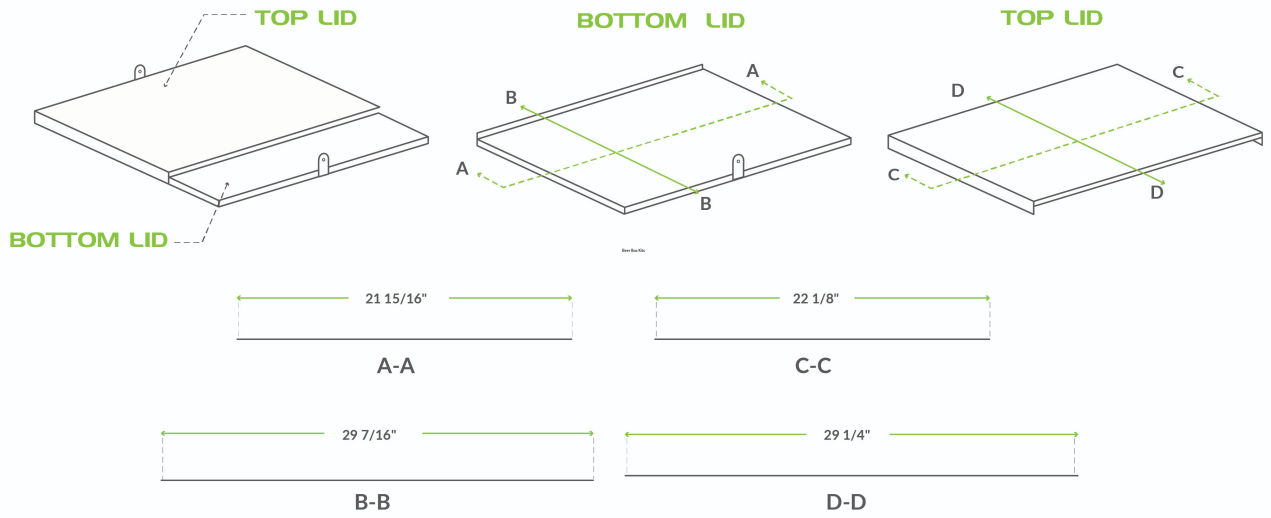
Features

- For use with Regency 60" beer box
- Durable stainless steel construction
- Includes padlock and two keys
- Protects and secures contents inside between uses
- Slows the melting process with excellent cold retention

Certifications



Plan View



Notes & Details

Protect and store your operation's alcohol supply with this Regency beer box sliding lid. For use with the 60" beer box, this innovative cover keeps your signature drink operations securely stored in between applications. Made of type 304 stainless steel, this lid offers exceptional durability and corrosion-resistance as well as better cold retention. Simply slide the lid open to access drinks for convenient use. A padlock and two keys are included for added security, and the stainless steel construction matches the box.

WARNING: This product can expose you to chemicals including lead, which are known to the State of California to cause cancer, birth defects, or other reproductive harm. For more information, go to www.p65warnings.ca.gov.